



### COMPETITION VOLLEYBALL SYSTEM 3" OD POSTS

Bring a true competition feel to any gym with a volleyball post system that's built to look sharp, set up fast, and stay rock-solid through play. The post body and telescoping insert are made from high-strength, low-weight 6061-T6 aluminum extrusions, finished on a 3" diameter post in Basalt Grey (RAL 7012).

Easy setup, premium finish: each post weighs just 30lbs, and the spring-assisted, infinitely adjustable height insert includes official net height markings with a durable clear anodized finish.

Game-ready tensioning and control: a steel worm gear winch with belt strap helps dial in net tension, while stainless steel net tie knobs give you multiple attachment points. A threaded adjustable foot base helps keep the height markings accurate even when socket depths vary, and the large technopolymer T-Handle locks the insert securely in place.

Works with existing sockets: if your facility doesn't have 3" sockets, reducers can be factory-installed to fit 1 7/8" or 2 3/8" sockets—engineered to maintain the rigidity of a full-size 3" post.

Competition net package: the included net features a Kevlar top cable, 3 side tensioning ropes with quick adjust loop cleats, and 4" square polypropylene mesh. Antenna markers are available, and the net is designed for official size courts with sockets spaced 36ft apart.

Optional post padding (customizable): 1 1/4" high density polyethylene foam wrapped in 18oz PVC vinyl fabric with Velcro hook-and-loop fasteners for quick on/off. Stocked in black, with additional vinyl colours and digital logo printing on both sides available.

Two-court setup option: add an additional end post with winch (F50505) to the F50501 package—one shared post (without winch) serves both courts.

#### POST & ACCESSORIES

**F50501** — Competition Volleyball Post 3" End Posts – Pair, Posts Only

**F50502** — Competition Volleyball Post Net

**F50503** — Competition Volleyball Post Net Antenna – Pair

**F50504** — Competition Volleyball Post Padding – Pair

**F50505** — Competition Volleyball Post 3" Winch Post for Two Court – Single Post Only

#### REDUCERS FOR END POSTS – PAIR

**F50506** — Reducer for 1 7/8" Fixed Floor Sockets – Pair, Factory Installed on Posts

**F50507** — Reducer for 1 7/8" Floating Floor Sockets – Pair, Factory Installed on Posts

**F50508** — Reducer for 2 3/8" Fixed Floor Sockets – Pair, Factory Installed on Posts

**F50509** — Reducer for 2 3/8" Floating Floor Sockets – Pair, Factory Installed on Posts

#### REDUCERS FOR TWO COURT OPTIONS

**F50506** — Reducer for 1 7/8" Fixed Floor Sockets – Pair, Factory Installed on Posts

**F50507** — Reducer for 1 7/8" Floating Floor Sockets – Pair, Factory Installed on Posts

**F50508** — Reducer for 2 3/8" Fixed Floor Sockets – Pair, Factory Installed on Posts

**F50509** — Reducer for 2 3/8" Floating Floor Sockets – Pair, Factory Installed on Posts



F50503 Net Antenna

F50502 Competition Volleyball Post Net

Infinitely adjustable telescopic insert with official net height markings

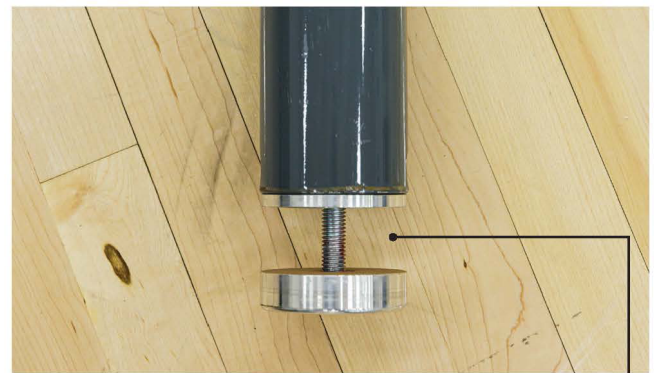
3" Aluminum Post



F50504 Competition Volleyball Post Padding



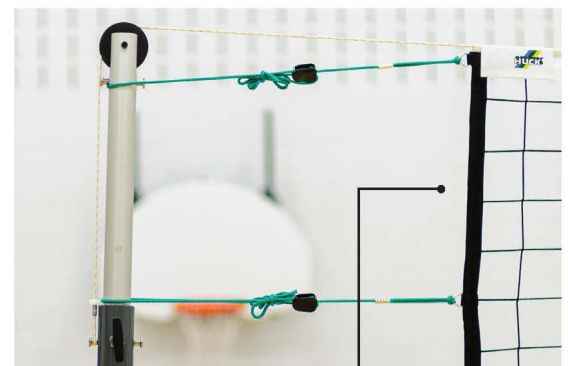
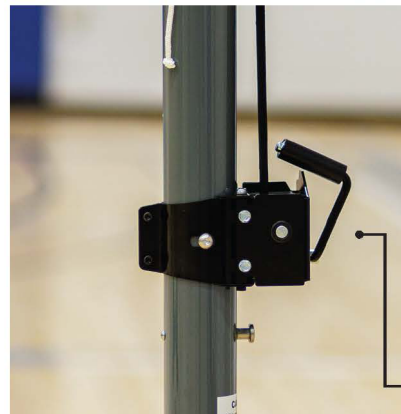
1 7/8" and 2 3/8" reducer variations available to work with existing smaller socket diameters



Threaded adjustable base to calibrate net height markings when socket depth variations are present



Friction lock handle to adjust spring assisted telescopic insert for precise net height adjustments



F50502 Competition Volleyball Post Net

with Kevlar top rope and 3 side tensioning ropes with quick adjust loop cleats

Heavy duty worm gear winch with strap and foldable handle