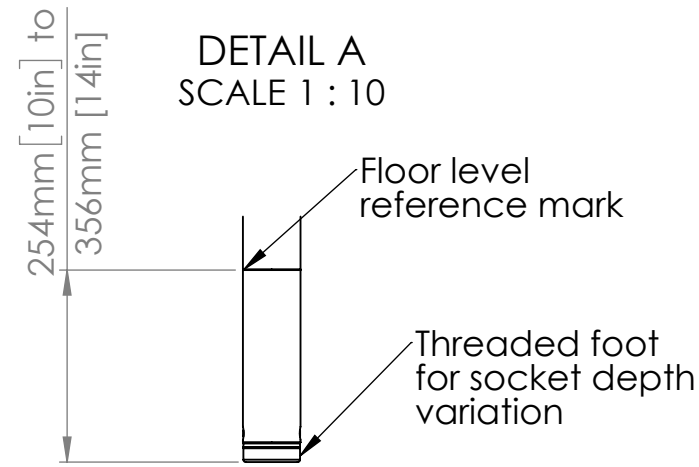
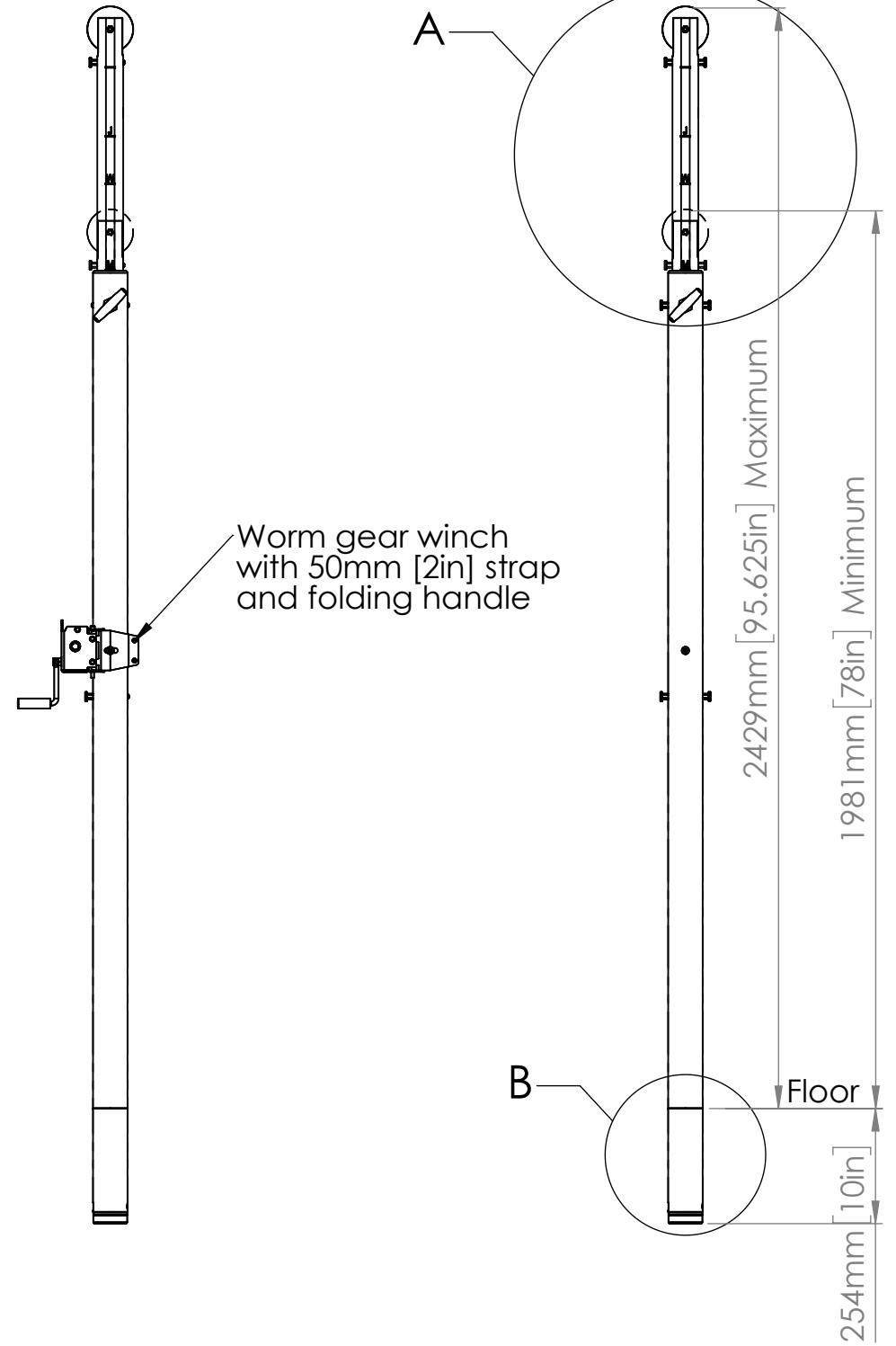
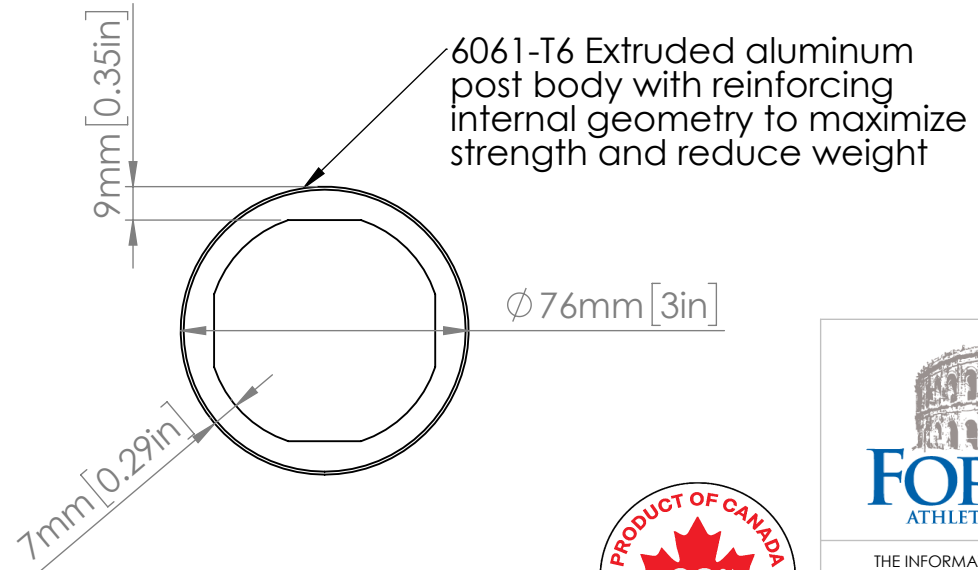


DETAIL A  
SCALE 1 : 10



DETAIL B  
SCALE 1 : 10



**Finishes:**  
 Body - Charcoal grey powder coat  
 Insert - Clear anodized aluminum  
 Winch - Black powder coat  
 Fasteners - Stainless steel

Quantity	
----------	--



**Forum Athletic Products**  
 9 Browning Court Unit 1  
 Bolton, ON, Canada L7E 1G8

Phone 905-405-1222  
 Fax 905-405-8532  
 Email info@forumathletic.ca  
 Website www.forumathletic.ca

THE INFORMATION AND DESIGNS CONTAINED IN THIS DRAWING ARE CONFIDENTIAL AND PROPRIETARY PROPERTY OF FORUM ATHLETIC PRODUCTS INC. THEY MAY NOT BE REPRODUCED OR DISTRIBUTED WITHOUT PRIOR WRITTEN CONSENT FROM FORUM ATHLETIC PRODUCTS INC.

DRAWN: steve.strazzabosco DATE: 2025-11-03

PROJECT:

DESCRIPTION:  
 Competition Volleyball Post 3in End Posts - Pair, Posts Only

DWG NO. / PART. NO.  
**F50501**

REV  
**A**

SCALE: 1:15 SHEET 1 OF 1