

DAKTRONICS SSN-150-WR PRODUCT SPECIFICATIONS

SSN-150 Sound Cabinet
with Team Lettering



Wall Rack (SSR-WR)

This Sportsound® standard indoor sound system is specially designed for small indoor gymnasiums. The single-point system is permanently wall-mounted and provides even coverage and levels capable of overcoming crowd noise. Customized graphics or advertisements can be printed on the wraparound front mesh. An integrated wall rack houses the amplifier, 10-channel mixer, professional CD/media player, power conditioner, and optional wireless microphone receiver(s).

	SOUND CABINET	WALL RACK
DIMENSIONS	8'-0" H x 2'-0" W x 1'-5" D (2438 mm, 610 mm, 432 mm)	28" H x 23.4" W x 26.3" D (711 mm, 594 mm, 668 mm)
WEIGHT	175 lbs (80 kg)	172 lbs (78 kg)
POWER	N/A	120 VAC, 1300 Watts, 1000 Btu; one (1) 15 Amp circuit
CONSTRUCTION	Aluminum	Steel
COLOR	Semi-gloss black*	Black

* More sound cabinet colors are available for an additional fee.

KEY FEATURES

- Turnkey audio system – all components integrated and optimized by Daktronics
- Ideal for gymnasiums up to 120' x 120' (37 m x 37 m)
- Durable sound cabinet protects internal speaker components from indoor sport balls
- Separate lockable wall rack allows for easy operation and service access while keeping components secure
- Built-in overload protection for high frequency devices and peak limiters
- Pre-configured crossover and equalization
- Mid and high frequency speakers adjust +/- 25 degrees horizontally and 5 degrees down vertically
- Full-color-printable front mesh provides space to display identification or generate sponsor revenue
- Professional CD/media player offers exceptional playback quality and features an AM/FM radio tuner

- 10-channel audio mixer provides inputs for many devices
 - > Four (4) mic inputs (XLR), two (2) mic/line switchable inputs (XLR/TRS), two (2) stereo RCA inputs, one (1) 1/8" input, one (1) paging input (70V or 25V)
 - > Two (2) outputs (XLR & 1/4")
 - > For more information, see [DD4080122](#).
- Built-in rack drawer stores microphones and other devices

OPTIONAL EQUIPMENT

- Push-to-talk announcer's interface OR standalone announcer's mixer (see page 2)
- Single- OR dual-channel wireless microphone system with multiple transmitter choices (see page 2)
- High gain antenna kit (see [DD1571138](#))
- Keyed remote power switch provides a quick, secure way to remotely power on the audio system
- 200' (61 m) outdoor-rated AM/FM antenna extension kit

WWW.DAKTRONICS.COM E-MAIL: SALES@DAKTRONICS.COM

201 Daktronics Drive, PO Box 5128, Brookings, SD 57006
Phone: 1-800-325-8766 or 605-692-0200 Fax: 605-697-4746
DD3879257 051519 Page 1 of 5



DAKTRONICS SSN-150-WR PRODUCT SPECIFICATIONS

ANNOUNCER'S MICROPHONE OPTIONS

- Push-to-talk announcer's interface with microphone (plus stand) and headphones (see [DD2557627](#))
- SSR-AM two-channel announcer's mixer with single-muff headset (see [DD3638244](#))



Announcer's Interface,
Wired Microphone, &
Headphones

OR



SSR-AM Announcer's Mixer
& Single-Muff Headset

WIRELESS MICROPHONE OPTIONS

- **Single** wireless receiver with choice of 1 handheld mic **OR** 1 bodypack kit
- **Dual** wireless receivers with choice of 2 handheld mics **OR** 1 handheld mic and 1 bodypack kit

Single Wireless System Options

1 Handheld
Microphone



OR

1 Bodypack kit with
Headset, Lapel Mic
& Mute Switch*



OR

Dual Wireless System Options

2 Handheld
Microphones



OR

1 Handheld
Microphone



1 Bodypack kit with
Headset, Lapel Mic
& Mute Switch*



*See [DD2628096](#)

DAKTRONICS SSN-150-WR PRODUCT SPECIFICATIONS

GRILLE

Woven flame resistant acoustical mesh

GRILLE COLOR

The cabinet's front mesh grille can be printed in a variety of colors to display advertising, sponsor or logo designs.

LOGO/SPONSOR PRINTABLE AREA

92.4" H x 44.5" W (2.3 m, 1.1 m)

FREQUENCY RESPONSE (-10 DB @ 1 M)

35 Hz to 20 kHz

COVERAGE

Horizontal = 150 degrees; Vertical = 45 degrees

MAX SPL @ 1 M

120 dB

MAX SPL @ TYPICAL SEATING AREA

90 dB

SENSITIVITY (@ 1 M)

93 dB @ 2.83 V, 90 dB @ 2.0 V (70 Hz to 18 kHz)

DRIVER COMPONENTS

- Sixteen (16) 1" (25 mm) soft dome tweeters
- Eight (8) 5" (125 mm) high-power drivers
- One (1) 12" (305 mm) low frequency driver

AMPLIFIER

- 4 Channels; 625 W per channel
- Frequency Response: (at 8 ohm, 20 Hz to 20 kHz): +/- 0.5 dB
- Total Harmonic Distortion (at full rated power, 20 Hz to 20 kHz): 1%
- Monitoring and control capabilities
- On-board Digital Signal Processing (DSP)
- IEC Power Connector: 15 A IEC

FOR ADDITIONAL INFORMATION

- Shop Drawing: DWG-1132106 (attached)
- System Riser Diagram: DWG-4174125 (attached)
- Application Guide: see [DD3830125](#)
- Architectural Specifications: See [DD3879253](#)

WWW.DAKTRONICS.COM E-MAIL: SALES@DAKTRONICS.COM

*Sportsound® is a trademark of Daktronics, Inc.
Specifications and pricing are subject to change without notice.
DD3879257 051519 Page 3 of 5 Copyright © 2018-2019 Daktronics, Inc.*



**SPORTSOUND
INDOOR AUDIO SYSTEM**

SSN-150

SUBMITTAL APPROVAL

- APPROVED
- APPROVED AS NOTED
- APPROVED AS NOTED & RESUBMIT



COMPANY: _____

SIGNED: _____ DATE: _____

TITLE: _____

NOTES:

- 1.0 GENERAL NOTES
 - 1.1 ALL DIMENSIONS IN FEET AND INCHES. DIMENSIONS ARE APPROXIMATE AND SUBJECT TO CHANGE DUE TO DETAILED DESIGN CONSIDERATIONS.
 - 1.2 TERMINAL BLOCKS FOR LANDING THE SPEAKER WIRES WILL BE PROVIDED WITHIN THE CABINET BY DAKTRONICS.
 - 1.3 HOLES FOR WIRE ENTRY TO BE PUNCHED IN CABINET BY THE ELECTRICAL SUBCONTRACTOR.
 - 1.4 LOCATION OF THE SPEAKER WIRE ENTRANCE HOLES TO BE DETERMINED BY THE CUSTOMER.
- 2.0 STRUCTURAL NOTES
 - 2.1 IT WILL BE THE UNDERSTANDING OF DAKTRONICS THAT SHOP APPROVAL IMPLIES THAT A QUALIFIED ENGINEER HAS REVIEWED THE ADDITION OF THE SPEAKER CABINET LOAD TO THE BUILDING AND THAT THE BUILDING STRUCTURE HAS BEEN DEEMED ACCEPTABLE TO SUPPORT THE ADDITIONAL LOAD AS DETAILED.
 - 2.2 CABINET MATERIAL IS ALL ALUMINUM.
 - 2.3 WEIGHT OF CABINET WITH SPEAKERS: 175 LBS.
 - 2.4 THE BOTTOM OF THE CABINET SHOULD BE MOUNTED NO LESS THAN 15 FT FROM THE GYM FLOOR TO AVOID INTERFERENCE WITH THE BASKETBALL BACKBOARDS.
 - 2.5 INTERNAL SPEAKERS TO BE PROVIDED AND INSTALLED BEFORE THE CABINET ARRIVES ON SITE.
 - 2.6 DAKTRONICS DESIGNED STRUCTURE HARDWARE DOES NOT INCLUDE ANY TENSION CONTROL HARDWARE. TORQUE ON BOLTS TO FOLLOW THE "TURN OF THE NUT METHOD" OF TIGHTENING, UNLESS OTHERWISE NOTED.
- 3.0 PROJECT RESPONSIBILITIES
 - 3.1 ALL ON-SITE WORK TO BE DONE IN ACCORDANCE WITH OSHA AND ALL LOCAL CODES THAT APPLY.
 - 3.2 DAKTRONICS SUBCONTRACTORS RESPONSIBLE FOR JOBSITE SAFETY.
 - 3.3 DAKTRONICS SUBCONTRACTORS ARE SOLELY RESPONSIBLE FOR THE DESIGN AND INSTALLATION OF ALL TEMPORARY BRACING AND OTHER ELEMENTS AND EQUIPMENT NECESSARY FOR A SAFE INSTALLATION.
 - 3.4 EACH SUBCONTRACTOR IS RESPONSIBLE FOR THE REMOVAL AND DISPOSAL OF WASTE MATERIALS ON THE JOBSITE.
 - 3.5 DAKTRONICS AND OWNERS SUBCONTRACTORS SHALL VERIFY ALL EXISTING DIMENSIONS AND CONDITIONS PRIOR TO INSTALLATION. NOTIFY DAKTRONICS IMMEDIATELY IF ANY DISCREPANCIES ARE FOUND.
 - 3.6 REFER TO STANDARD FORM AGREEMENT BETWEEN CONTRACTOR AND SUBCONTRACTOR (AA-A401) AND ATTACHED DOCUMENTS FOR DETAILED SCOPE OF WORK AND RESPONSIBILITY.

02	04 APR 19	ADDED SPEAKER AIMING DETAIL.	MTR	
01	03 OCT 18	UPDATED PER FINAL DESIGN	J.R.	
REV	DATE		BY	
REV	DATE		BY	

THE CONCEPTS EXPRESSED AND DETAILS SHOWN ON THIS DRAWING ARE THE PROPERTY OF DAKTRONICS INC. AND ARE NOT TO BE REPRODUCED OR ANY MANNER WITHOUT THE EXPRESS WRITTEN CONSENT OF DAKTRONICS INC. © 2018 DAKTRONICS INC. 0289

PROJECT: DAKTRONICS AUDIO SYSTEMS

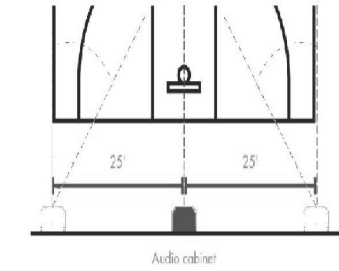
TITLE: SHOP DRAWING, SOUND SYSTEM, SSN-150

DATE: 04 APR 19 DIM UNITS: INCHES (MILLIMETERS) SHEET # 1 OF 1

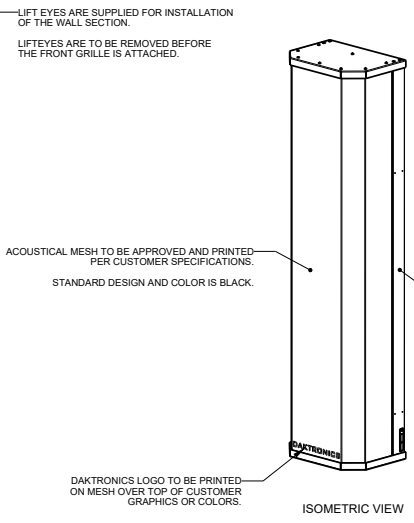
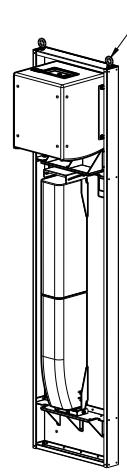
SCALE: 1/2" = 1'-0" DO NOT SCALE DRAWING

DESIGN: JROBERS JOB NO. _____ PNC TYPE: S21

DRAWN: JROBERS P1756 F - 10 - C **1132106**



SPEAKER OFFSET DISTANCE FROM CENTERLINE (FT)	LEFT/ RIGHT SPEAKER PAN AMOUNT(DEGREES)
5	0
7.5	0
10	0
12.5	12
15	14
17.5	16
20	18
22.5	21
25	23

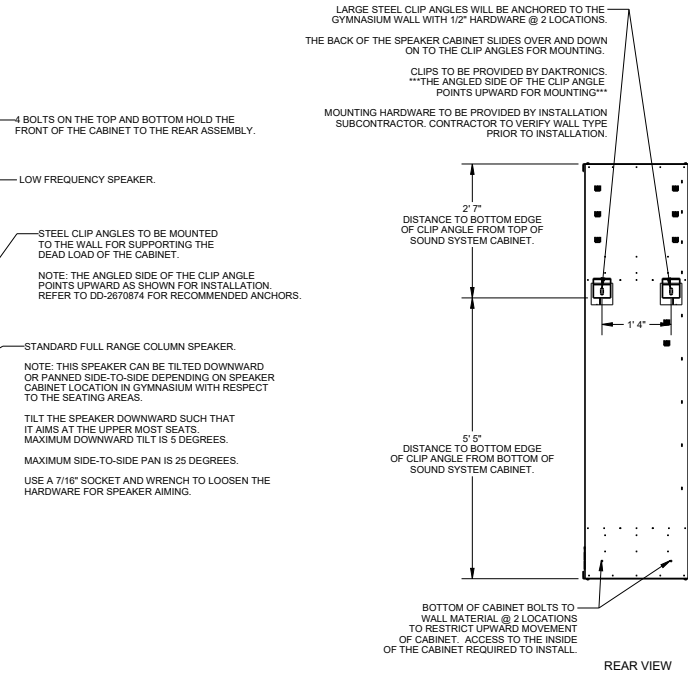
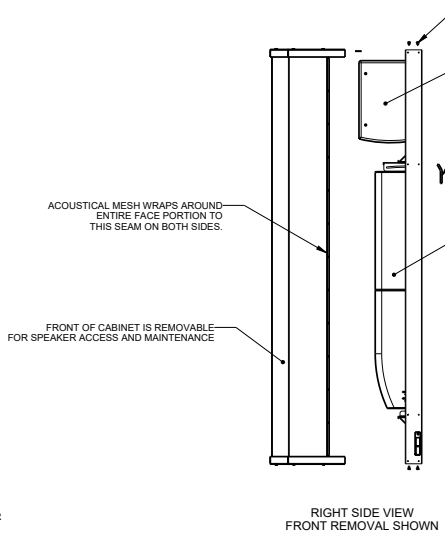
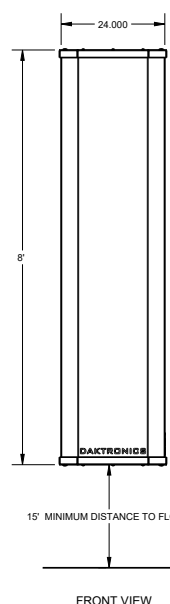
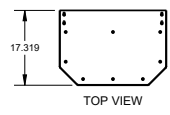


NOTE: THIS SPEAKER CAN BE TILTED DOWNWARD OR PANNED SIDE-TO-SIDE DEPENDING ON SPEAKER CABINET LOCATION IN GYMNASIUM WITH RESPECT TO THE SEATING AREAS.

TILT THE SPEAKER DOWNWARD SUCH THAT IT AIMS AT THE UPPER MOST SEATS. MAXIMUM DOWNWARD TILT IS 5 DEGREES.

MAXIMUM SIDE-TO-SIDE PAN IS 25 DEGREES.

USE A 7/16" SOCKET AND WRENCH TO LOOSEN THE HARDWARE FOR SPEAKER AIMING.



**SPORTSOUND
INDOOR AUDIO SYSTEM
SSN-150**

SUBMITTAL APPROVAL

APPROVED APPROVED AS NOTED APPROVED AS NOTED & RESUBMIT
 COMPANY: _____
 SIGNED: _____
 TITLE: _____ DATE: _____

SPEAKER NOTES:

1. SPEAKER ENCLOSURE PROVIDED BY DAKTRONICS AND INSTALLED BY INSTALL SUBCONTRACTOR. FOLLOW DAKTRONICS DRAWING: 1132106 FOR PROPER INSTALLATION PROCEDURE.
2. TERMINAL BLOCK PROVIDED ON INTERIOR BODY OF ENCLOSURE TO TERMINATE SPEAKER CABLE.
3. REMOVE GRILLE FACE TO GAIN ACCESS TO SPEAKER TERMINATION. REFER TO SHOP DRAWING FOR GRILLE REMOVAL.
4. DRILL HOLE THROUGH BODY OF ENCLOSURE FOR CONDUIT INSTALLATION.
5. SOME SITES MAY HAVE COLUMN SPEAKER EXPOSED AND NOT INSTALL IN A SPEAKER ENCLOSURE. IF SO, TERMINATION DIRECT TO SPEAKER REQUIRED. FOLLOW MANUFACTURER'S INSTRUCTIONS ON PROPER TERMINATION.

SSR-WR NOTES:

1. SSR-WR PROVIDED BY DAKTRONICS AND INSTALLED AS SHOWN ON INCLUDED (RACK DRAWER) MANUFACTURER INSTRUCTION SHEET.
2. SEE DWG-03825584 FOR WIRING SCHEMATIC.
3. KNOCKOUTS ON TOP/BOTTOM OF RACK TO ACCEPT VARYING CONDUIT SIZES.

INPUT PLATE NOTES:

1. SIGNAL F-XLR INPUT PLATE MOUNTED PER CUSTOMER'S DIRECTION. TYPICALLY MOUNTED TO WALL BOX OR FLOOR BOX IN CLOSE PROXIMITY OF CONTROL LOCATION.
2. INPUT PLATE PROVIDED BY DAKTRONICS AND INSTALLED TO 1GANG RECEPTACLE BOX BY INSTALLATION SUBCONTRACTOR. INSTALL SUBCONTRACTOR TO PROVIDE BOX.
3. SEE DRAWING DETAIL OF PLATE AND XLR JACK FOR PINOUT.

REMOTE ANTENNA KIT NOTES:

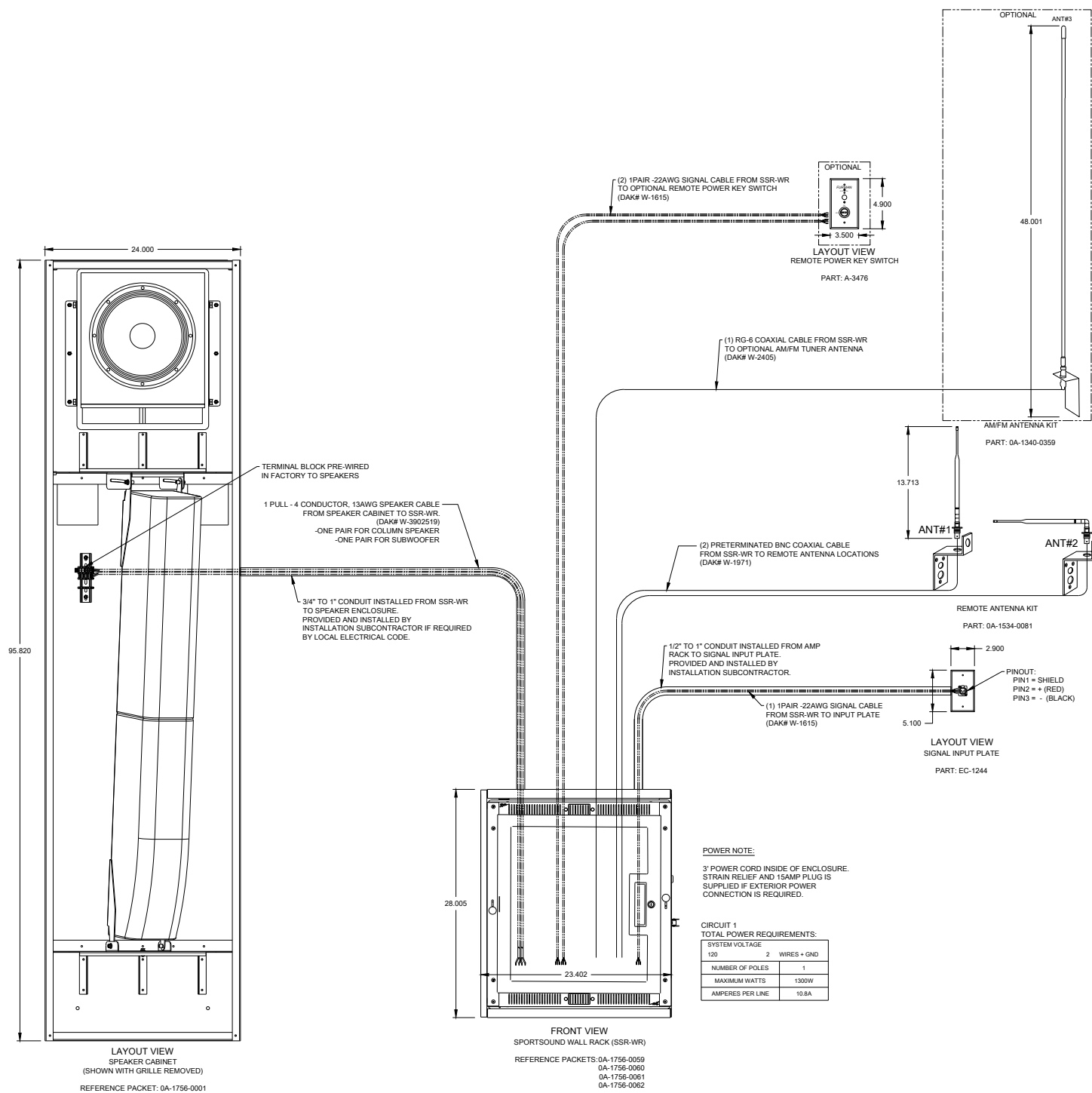
1. ANTENNAS MOUNTED WITH CLEAR LINE OF SIGHT TO AREA OF EXPECTED MICROPHONE USAGE
2. ANTENNAE MOUNTED AT LEAST 6' APART IS BEST PRACTICE
3. POINT ONE ANTENNA UP, POINT THE OTHER TO THE SIDE
4. ANTENNA AND MOUNTING HARDWARE PROVIDED BY DAKTRONICS. INSTALLED BY SUBCONTRACTOR.
5. SEE DWG-03825584 FOR WIRING DETAIL

OPTIONAL KEY SWITCH NOTES:

1. KEY SWITCH MOUNTED PER CUSTOMER'S DIRECTION.
2. KEY SWITCH PLATE PROVIDED BY DAKTRONICS AND INSTALLED TO 1GANG RECEPTACLE BOX BY INSTALLATION SUBCONTRACTOR. INSTALL SUBCONTRACTOR TO PROVIDE BOX.
3. SEE DWG-03825584 FOR WIRING DETAIL

OPTIONAL AM/FM ANTENNA NOTES:

1. ANTENNA MOUNTED AT FACILITY ROOFLINE. SO THAT MAJORITY OF ANTENNA IS NOT OBSTRUCTED BY STRUCTURE.
2. ANTENNA AND MOUNTING HARDWARE PROVIDED BY DAKTRONICS. INSTALLED BY SUBCONTRACTOR.
3. SEE DWG-03825584 FOR WIRING DETAIL



POWER NOTE:
 3' POWER CORD INSIDE OF ENCLOSURE. STRAIN RELIEF AND 15AMP PLUG IS SUPPLIED IF EXTERIOR POWER CONNECTION IS REQUIRED.

CIRCUIT 1 TOTAL POWER REQUIREMENTS:

SYSTEM VOLTAGE	120	2 WIRES + GND
NUMBER OF POLES	1	
MAXIMUM WATTS	1300W	
AMPERES PER LINE	10.8A	

LAYOUT VIEW
SPEAKER CABINET
(SHOWN WITH GRILLE REMOVED)
REFERENCE PACKET: 0A-1756-0001

FRONT VIEW
SPORTSOUND WALL RACK (SSR-WR)
REFERENCE PACKETS: 0A-1756-0059
0A-1756-0060
0A-1756-0061
0A-1756-0062

THE CONCEPTS EXPRESSED AND DETAILS SHOWN ON THIS DRAWING ARE CONFIDENTIAL AND PROPRIETARY. THEY MAY NOT BE REPRODUCED BY ANY MEANS WITHOUT THE EXPRESS WRITTEN CONSENT OF DAKTRONICS, INC. SEE 1132106 FOR COMPLETE TERMS AND CONDITIONS.

PROJECT: SPORTSOUND SYSTEMS
 TITLE: RISER; SSN-150 WITH SSR-WR
 DATE: 24 APR 19 DIMENSIONS: INCHES (MILLIMETERS)
 SCALE: 1/8" = 1" DO NOT SCALE DRAWING SHEET: 00
 DESIGN: CBRANDT JOB NO. PLAC. TYPE: SIZE
 DRAWN: CBRANDT P1756 R 10 C 4174125