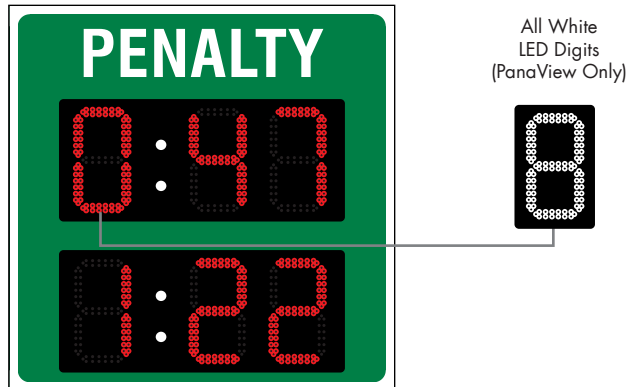


DAKTRONICS H-2115 PRODUCT SPECIFICATIONS



This indoor single-sided LED hockey scoreboard module displays PENALTY time to 9:59 for up to two players. Display shown with PanaView® digits and optional striping. Displays are sold in pairs for tracking penalties of both teams. Dimensions, power and weights below are for one display only.

POWER (120 VAC)*	UNCRATED WEIGHT	DIMENSIONS
90 Watts, 0.8 Amp	60 lb (27 kg)	4'-0" H x 4'-0" W x 6" D (1.22 m, 1.22 m, 152 mm)

*Models with 240 VAC power at half the indicated amperage are also offered (International Use Only).

DIGITS

- All digits are 13" (330 mm) high.
- Select PanaView® or UniView® LED digit technology (see [SL-04729](#)).
- Select red or white digits (**PanaView digits only**).

CAPTIONS

- All captions are 6" (152 mm) high.
- Standard captions are vinyl, applied directly to the display face.

DISPLAY COLOR

Choose from 150+ colors (from Martin Senour® paint book) at no additional cost.

CONSTRUCTION

Durable, lightweight aluminum Tuff Sport® cabinet withstands high-velocity impact from air-filled sports balls without the need for protective screens.

PRODUCT SAFETY APPROVAL

ETL-listed, tested to CSA standards, and CE-labeled **for indoor use only**

OPERATING TEMPERATURES

- Display: -22° to 122° Fahrenheit (-30° to 50° Celsius)
- Console: 32° to 130° Fahrenheit (0° to 54° Celsius)

DAKTRONICS H-2115 PRODUCT SPECIFICATIONS

CONTROL CONSOLE	CONTROL OPTIONS
All Sport® 5000 (see SL-03991)	<p>Wired (standard): One-pair shielded cable of 22 AWG minimum is required. A cover plate with mounted connector and standard 2" x 4" x 2" (51 mm x 102 mm x 51 mm) outlet box is provided. Connector mates with signal cable from control console.</p> <hr/> <p>Wireless (optional): 2.4 GHz spread spectrum radio features 64 non-interfering channels and 8 broadcast groups (see SL-04370).</p>

* Controller not included with standard purchase; modules are typically controlled by the same console controlling the hockey scoreboard(s).

GENERAL INFORMATION

100% solid state electronics are housed in an all aluminum cabinet. Scoreboard modules arrive at the site fully assembled. Mounting hardware not included. Specifications and pricing are subject to change without notice.

FOR ADDITIONAL INFORMATION

- Mechanical Specifications: DWG-1148669 (attached)
- Component Locations: DWG-1148668 (attached)
- Architectural Specifications: See [SL-05321](#)
- Installation Manual: See [DD2481645](#)
- Service Manual: See [DD2481648](#)

OPTIONS & ACCESSORIES

- Scoreboard border striping
- Multiple caption and striping colors (see [DD2101644](#))
- Protective screen (see [SL-02551](#))
- Suspension installation kit

SCORING LAYOUTS

The following images show a few of the many possible hockey scoring combinations of the H-2115. **All other scoreboards and modules sold separately.**

H-2111 + H-2115 (@2) - HORIZONTAL



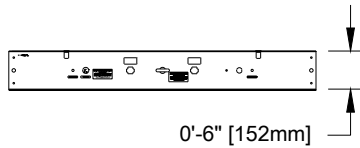
H-2111 + H-2115 (@2) - VERTICAL



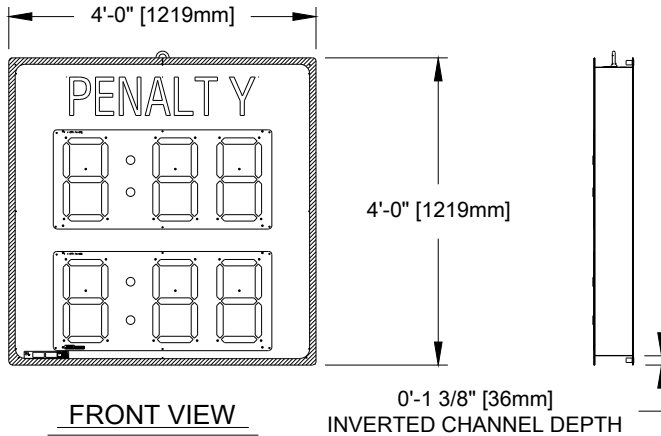
H-2101 + H-2115 (@2)



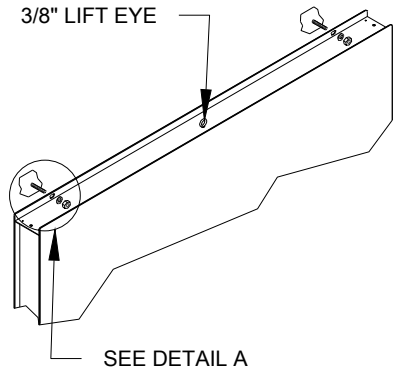
H-2115



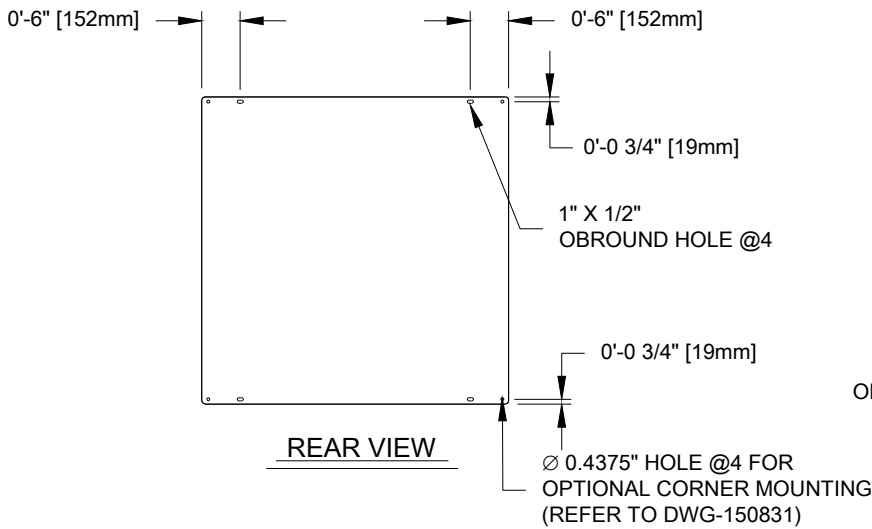
TOP VIEW



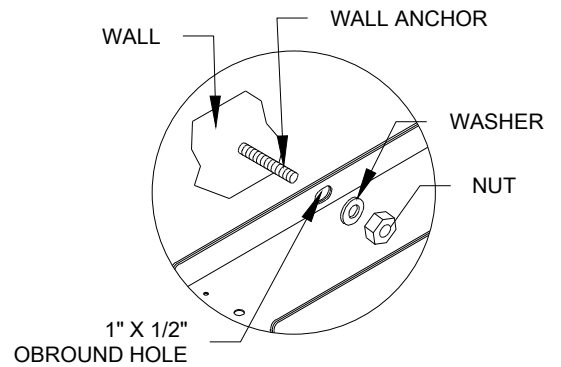
FRONT VIEW



WALL MOUNTING DETAIL



REAR VIEW



DETAIL: A

(SCALE 1=10)

NOTES:

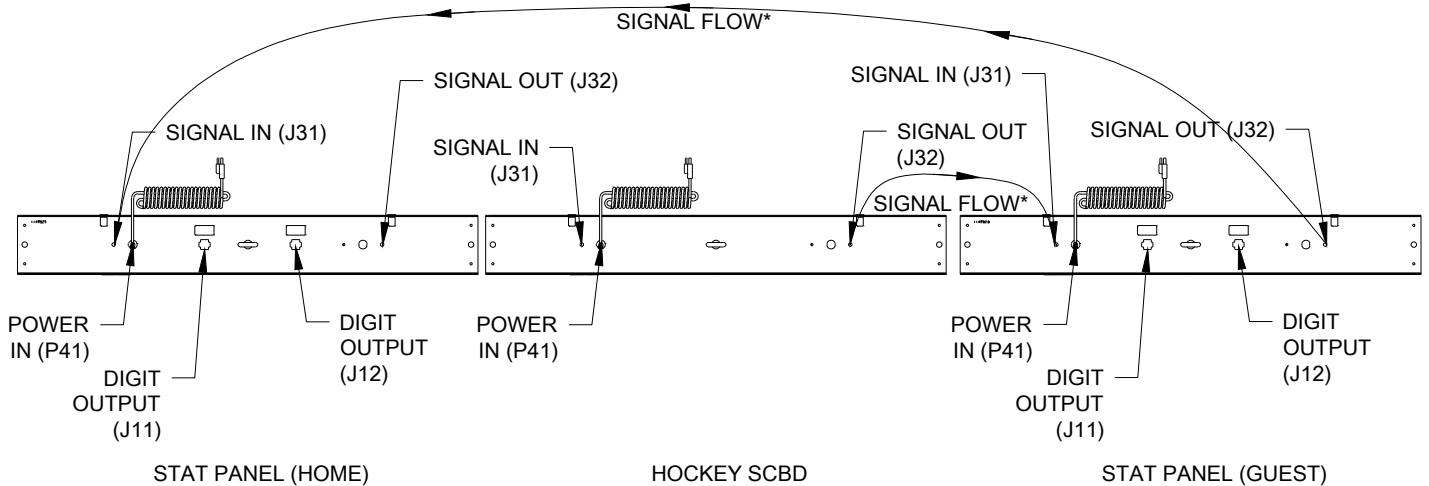
1. USE APPROPRIATE WALL ANCHORS FOR TYPE OF WALL. (NOT PROVIDED BY DAKTRONICS)
2. LIFT EYE IS FOR TEMPORARY USE WHILE LIFTING SCOREBOARD DURING INSTALLATION. DO NOT USE THE LIFT EYE FOR PERMANENT SUSPENSION. REFER TO DWG-1130959

WEIGHTS

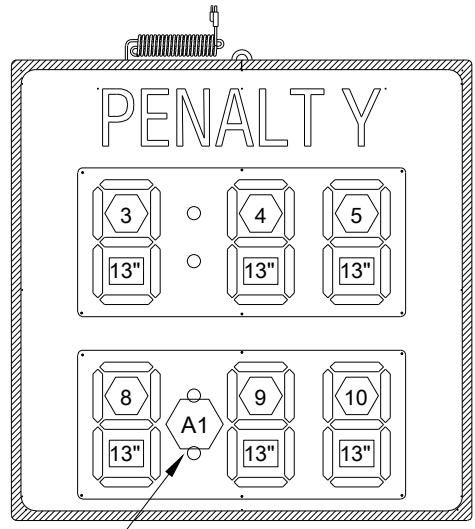
SHIPPING WEIGHT	MOUNTING WEIGHT
95 LBS (43KG)	60 LBS (27 KG)

	DAKTRONICS, INC. BROOKINGS, SD 57006 DO NOT SCALE DRAWING		THE CONCEPTS EXPRESSED AND DETAILS SHOWN ON THIS DRAWING ARE CONFIDENTIAL AND PROPRIETARY. DO NOT REPRODUCE BY ANY MEANS WITHOUT THE EXPRESSED WRITTEN CONSENT OF DAKTRONICS, INC. COPYRIGHT 2013 DAKTRONICS, INC.	
	PROJ: INDOOR SCOREBOARDS TITLE: MECHANICAL SPEC; H-2115			
DESIGN: KDRAGT		DRAWN: KDRAGT		DATE: 26 AUG 13
SCALE: 1=30				
SHEET	REV	JOB NO:	FUNC -TYPE-SIZE	1148669
	00	P1749	E - 10 - A	

H-2115



TOP VIEW
& SIGNAL FLOW



FRONT VIEW
PRIMARY DRIVER (A1)

- *SIGNAL INSTRUCTIONS:
1. CONTROL SIGNAL LANDS AT MAIN HOCKEY SCOREBOARD J31 IN.
 2. SIGNAL FLOWS FROM SCOREBOARD J32 OUT TO STAT DISPLAY J31.
 3. SIGNAL FLOWS FROM STAT DISPLAY J32 OUT TO J31 IN ON OTHER STAT DISPLAY.

NOTES:

- DIGIT DESIGNATION = IN RELATION TO DRIVER
- = DRIVER NUMBER

DAKTRONICS, INC. BROOKINGS, SD 57006	THE CONCEPTS EXPRESSED AND DETAILS SHOWN ON THIS DRAWING ARE CONFIDENTIAL AND PROPRIETARY. DO NOT REPRODUCE BY ANY MEANS WITHOUT THE EXPRESSED WRITTEN CONSENT OF DAKTRONICS, INC. COPYRIGHT 2013 DAKTRONICS, INC.		
	DO NOT SCALE DRAWING		
PROJ: INDOOR SCOREBOARDS TITLE: COMPONENT LOCATION; H-2115			
DESIGN: KDRAGT SCALE: 1/20	DRAWN: KDRAGT	DATE: 26 AUG 13	
SHEET 02	REV 02	JOB NO: P1749	FUNC -TYPE-SIZE E - 10 - A
			1148668

REV 02	DATE: 28 MAY 19	PER CN-80249; REPLACED LL-2525 LABELS WITH LL-4172151 LABELS.	BY: AGM
REV 01	DATE: 03 MAR 15	PER EC-17119; REMOVED DRIVER DETAIL. ADDED PRIMARY TO DRIVER NOTE	BY: KDB