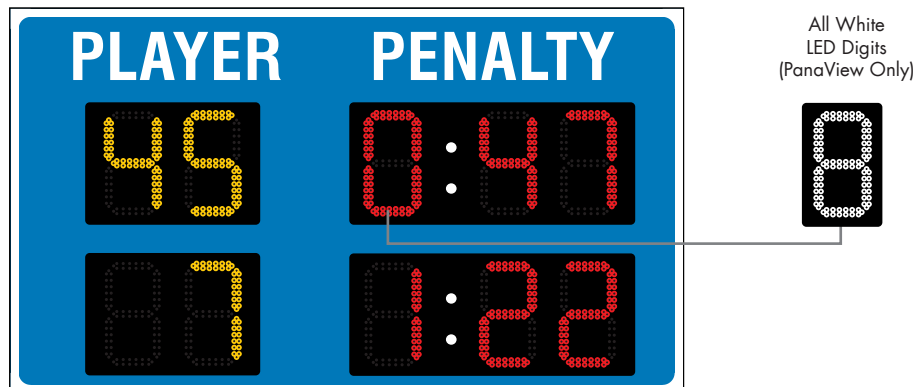


DAKTRONICS H-2102 PRODUCT SPECIFICATIONS



This indoor single-sided LED hockey scoreboard module displays PLAYER number to 99 and PENALTY time to 9:59 for up to two players. Display shown with PanaView® digits and optional striping. Displays are sold in pairs for tracking penalties of both teams. Dimensions, power and weights below are for one display only.

POWER (120 VAC)*	UNCRATED WEIGHT	DIMENSIONS
140 Watts, 1.2 Amps	105 lb (48 kg)	4'-0" H x 7'-0" W x 6" D (1.22 m, 2.13 m, 152 mm)

*Models with 240 VAC power at half the indicated amperage are also offered (International Use Only).

DIGITS

- All digits are 13" (330 mm) high.
- Select PanaView® or UniView® LED digit technology (see [SL-04729](#)).
- Displays come with choice of LED colors:
 - > **Red/Amber LEDs:** PLAYER digits are amber. PENALTY digits are red.
 - > **White LEDs:** all digits are white. **PanaView digits only.**

CAPTIONS

- All captions are 6" (152 mm) high.
- Standard captions are vinyl, applied directly to the display face.

DISPLAY COLOR

Choose from 150+ colors (from Martin Senour® paint book) at no additional cost.

CONSTRUCTION

Durable, lightweight aluminum Tuff Sport® cabinet withstands high-velocity impact from air-filled sports balls without the need for protective screens.

PRODUCT SAFETY APPROVAL

ETL-listed, tested to CSA standards, and CE-labeled **for indoor use only**

OPERATING TEMPERATURES

- Display: -22° to 122° Fahrenheit (-30° to 50° Celsius)
- Console: 32° to 130° Fahrenheit (0° to 54° Celsius)

DAKTRONICS H-2102 PRODUCT SPECIFICATIONS

CONTROL CONSOLE

All Sport® 5000
(see [SL-03991](#))

CONTROL OPTIONS

Wired (standard): One-pair shielded cable of 22 AWG minimum is required. A cover plate with mounted connector and standard 2" x 4" x 2" (51 mm x 102 mm x 51 mm) outlet box is provided. Connector mates with signal cable from control console.

Wireless (optional): 2.4 GHz spread spectrum radio features 64 non-interfering channels and 8 broadcast groups (see [SL-04370](#)).

* Controller not included with standard purchase; modules are typically controlled by the same console controlling the hockey scoreboard(s).

GENERAL INFORMATION

100% solid state electronics are housed in an all aluminum cabinet. Scoreboard modules arrive at the site fully assembled. Mounting hardware not included. Specifications and pricing are subject to change without notice.

FOR ADDITIONAL INFORMATION

- Mechanical Specifications: DWG-1145611 (attached)
- Component Locations: DWG-1145610 (attached)
- Architectural Specifications: See [SL-05315](#)
- Installation Manual: See [DD2481645](#)
- Service Manual: See [DD2481648](#)

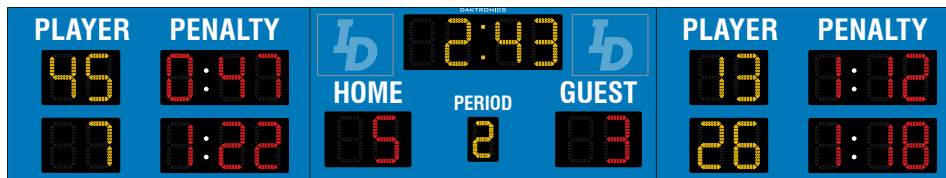
OPTIONS & ACCESSORIES

- Scoreboard border striping
- Multiple caption and striping colors (see [DD2101644](#))
- Protective screen (see [SL-02551](#))
- Suspension installation kit

SCORING LAYOUTS

The following images show a few of the many possible hockey scoring combinations of the H-2102. **All other scoreboards and modules sold separately.**

H-2111 + H-2102 (@2)



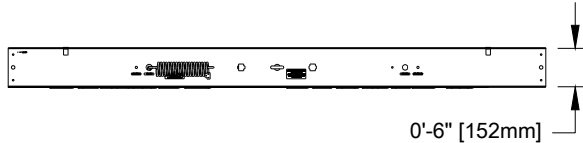
H-2101 + H-2102 (@2) - HORIZONTAL



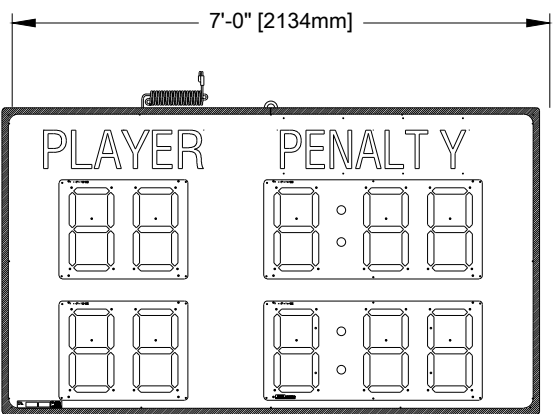
H-2101 + H-2102 (@2) - VERTICAL



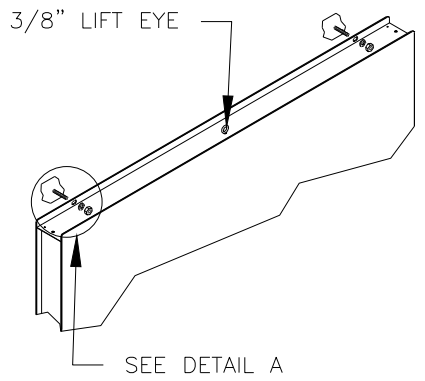
H-2102



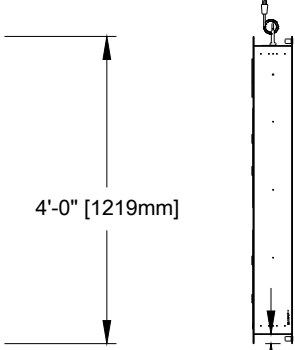
TOP VIEW



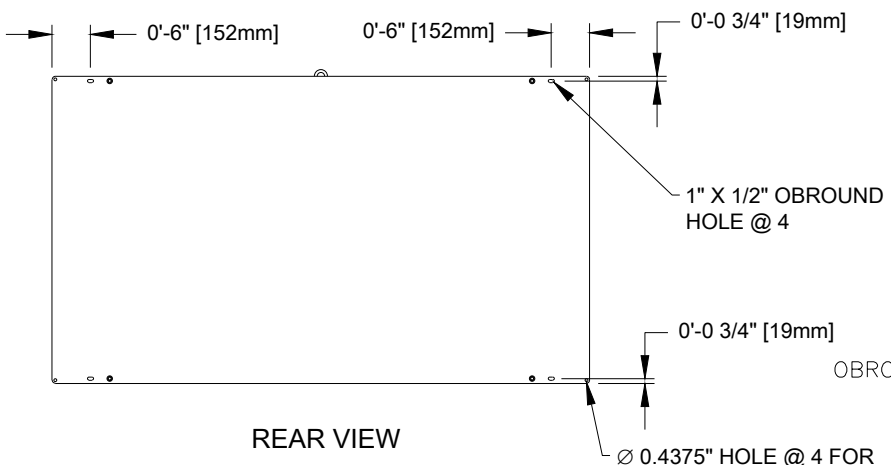
FRONT VIEW



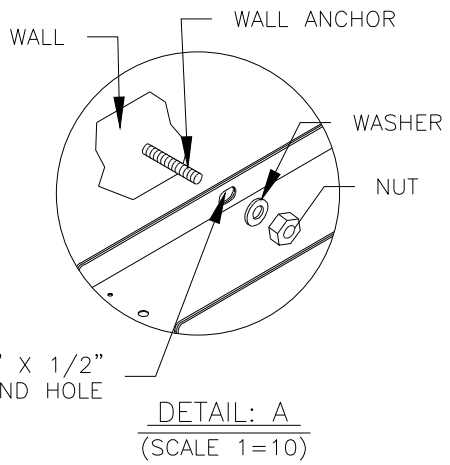
WALL MOUNTING DETAIL



SIDE VIEW



REAR VIEW



DETAIL: A
(SCALE 1=10)

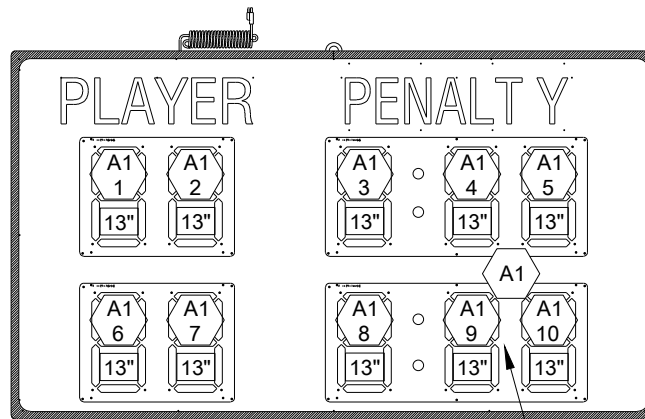
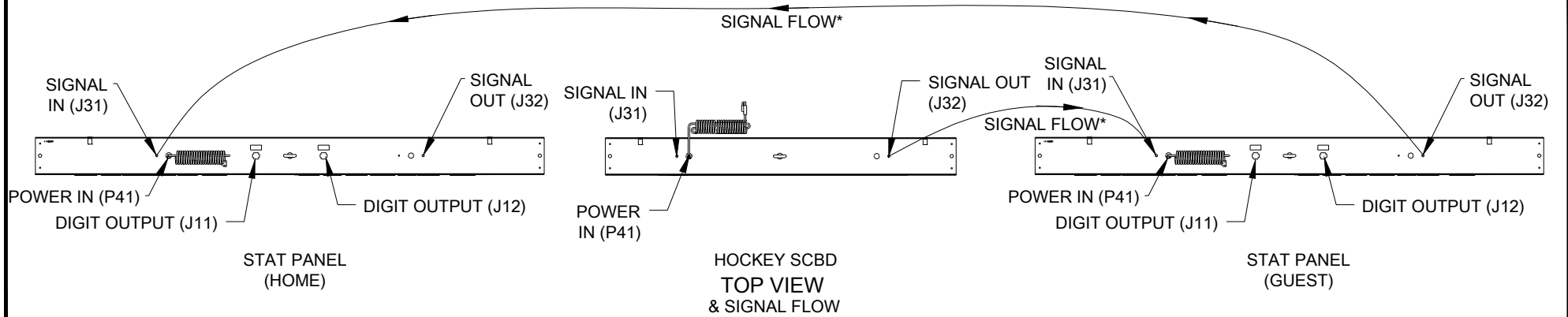
NOTES:

1. USE APPROPRIATE WALL ANCHORS FOR TYPE OF WALL. (NOT PROVIDED BY DAKTRONICS)
2. LIFT EYE IS FOR TEMPORARY USE WHILE LIFTING SCOREBOARD DURING INSTALLATION. DO NOT USE LIFT EYE FOR PERMANENT SUSPENSION. REFER TO DWG-1130959.

WEIGHTS	
SHIPPING WEIGHT	MOUNTING WEIGHT
168 LBS (76 KG)	105 LBS (48 KG)

<p>DAKTRONICS, INC. BROOKINGS, SD 57006</p>	<p>THE CONCEPTS EXPRESSED AND DETAILS SHOWN ON THIS DRAWING ARE CONFIDENTIAL AND PROPRIETARY. DO NOT REPRODUCE BY ANY MEANS WITHOUT THE EXPRESSED WRITTEN CONSENT OF DAKTRONICS, INC. COPYRIGHT 2013 DAKTRONICS, INC.</p>		
	<p>DO NOT SCALE DRAWING</p>		
<p>PROJ: INDOOR SCOREBOARDS</p>			
<p>TITLE: MECHANICAL SPEC; H-2102</p>			
<p>DESIGN: DOPPELT</p>		<p>DRAWN: TFINNES</p>	<p>DATE: 30 JULY 13</p>
<p>SCALE: 1=30</p>			
<p>SHEET</p>	<p>REV</p>	<p>JOB NO:</p>	<p>FUNC-TYPE-SIZE</p>
	<p>00</p>	<p>P-1749</p>	<p>E-10-A</p>
			<p>1145611</p>

H-2102




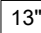
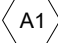
FRONT VIEW


PRIMARY DRIVER (A1)

*SIGNAL INSTRUCTIONS:

1. CONTROL SIGNAL LANDS AT MAIN HOCKEY SCOREBOARD J31 IN.
2. SIGNAL FLOWS FROM SCOREBOARD J32 OUT TO STAT DISPLAY J31.
3. SIGNAL FLOWS FROM STAT DISPLAY J32 OUT TO J31 IN ON OTHER STAT DISPLAY.

NOTES:

-  = DIGIT DESIGNATION = IN RELATION TO DRIVER
-  = DIGIT SIZE
-  = DRIVER NUMBER

PROJ: INDOOR SCOREBOARDS		DATE: 30 JULY 13	
TITLE: COMPONENT LOCATION: H-2102		DATE: 30 JULY 13	
DESIGN: KDRAGT		DRAWN: TFINNES	
SCALE: 1/25		JOB NO.: P-1749	
SHEET: 02		FUNC.-TYPE-SIZE: E-10-B	
1145610			
REV: 02	DATE: 28 MAY 19	PER: EC-17119, REMOVED DRIVER DETAIL, ADDED PRIMARY TO DRIVER NOTE	BY: AGM
REV: 01	DATE: 03 MAR 15		BY: KDB
 DAKTRONICS, INC. BROOKINGS, SD 57006 THE CONCEPTS EXPRESSED AND DETAILS SHOWN ON THIS DRAWING ARE CONFIDENTIAL AND PROPRIETARY. DO NOT REPRODUCE BY ANY MEANS WITHOUT THE EXPRESSED WRITTEN CONSENT OF DAKTRONICS, INC. COPYRIGHT © 2013 DAKTRONICS, INC.			
PER CN-80248 REPLACED LL-2825 LABELS WITH LL472151 LABELS. DO NOT SCALE DRAWING			