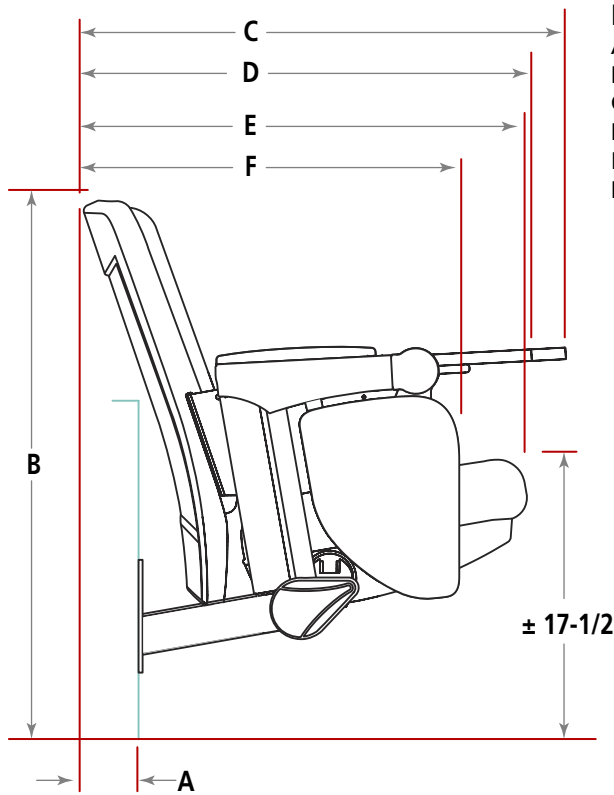


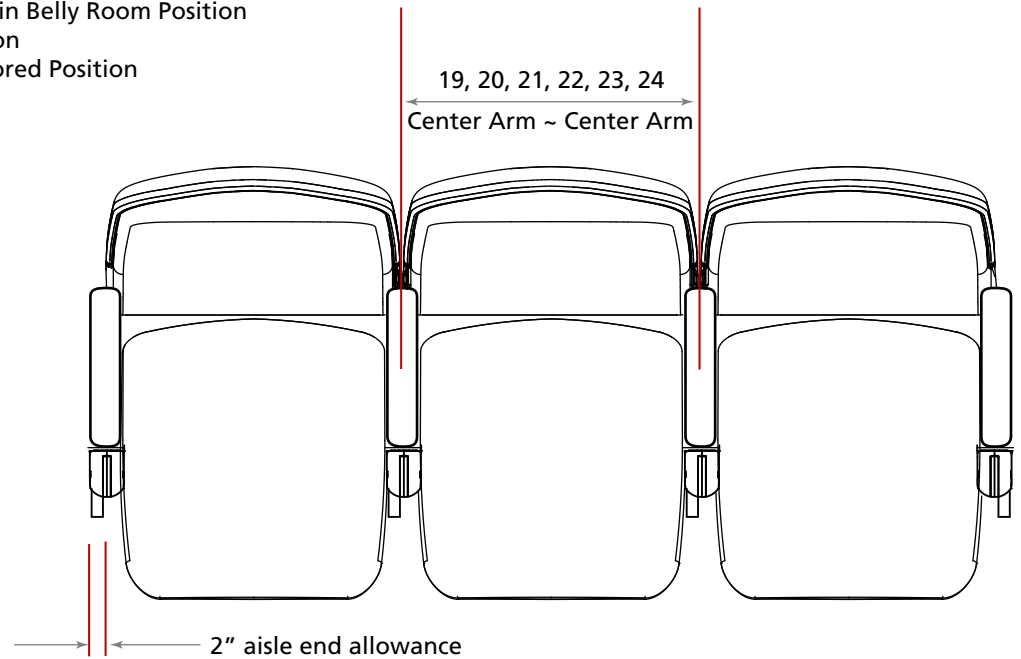
91.12.00.4 Millennium

Dimensional Data



Explanation of Dimensions:

- A = Back Pitch Overhang from Riser Face
- B = Back Height
- C = Writing Tablet at Max Belly Room Position
- D = Writing Tablet at Min Belly Room Position
- E = Seat in Down Position
- F = Writing Tablet in Stored Position



	9°	11°	13°	15°	19°	23°
A	5/16	7/8	1-5/8	2-1/4	3-1/2	4-11/16
B	34-13/16	34-5/8	34-5/16	34	33-7/16	32-11/16
C	26-3/4	27-5/16	28-1/16	28-11/16	29-15/16	31-1/8
D	24-5/8	25-3/16	25-15/16	26-9/16	27-7/16	29
E	24-1/4	24-13/16	25-9/16	26-3/16	27-7/16	28-5/8
F	20-1/8	20-11/16	21-7/16	22-1/16	23-5/16	24-1/2

High riser mount (16" min. - 21" max) - 3/4 fold seat.
 100 sq. in. writing tablet, for other sizes please contact your Irwin Seating representative.
 Back pitch is determined by site conditions, please consult with your Irwin Seating representative prior specifying.
 Radius layouts may impact availability, please contact your Irwin Seating representative for details.
 Accessories & components not shown here may impact dimensions, please contact your Irwin Seating representative for other models.
 All dimensions shown in inches.
 Dimensions may change without notice.
 © Irwin Seating Company