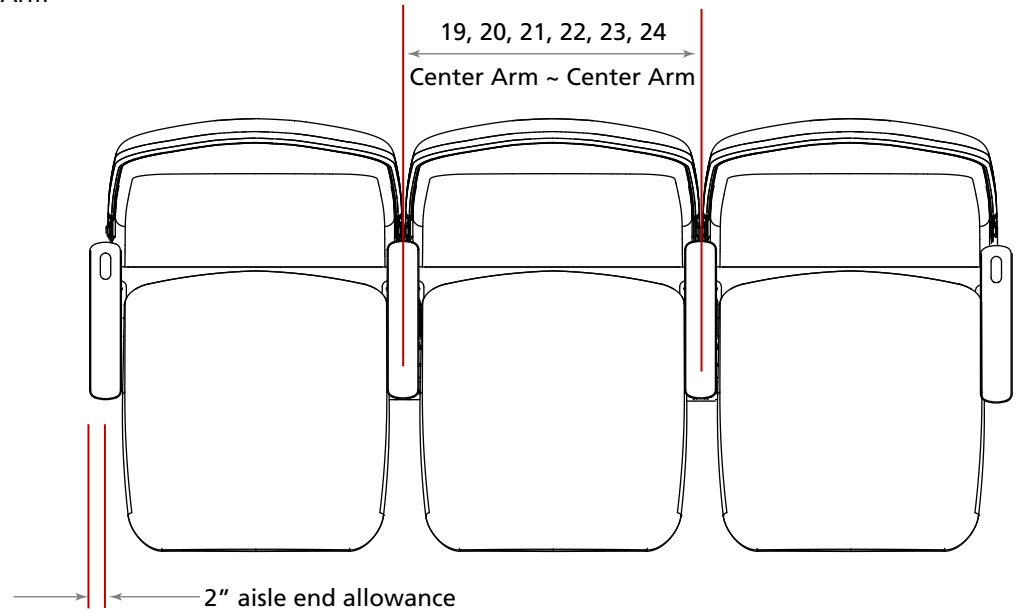
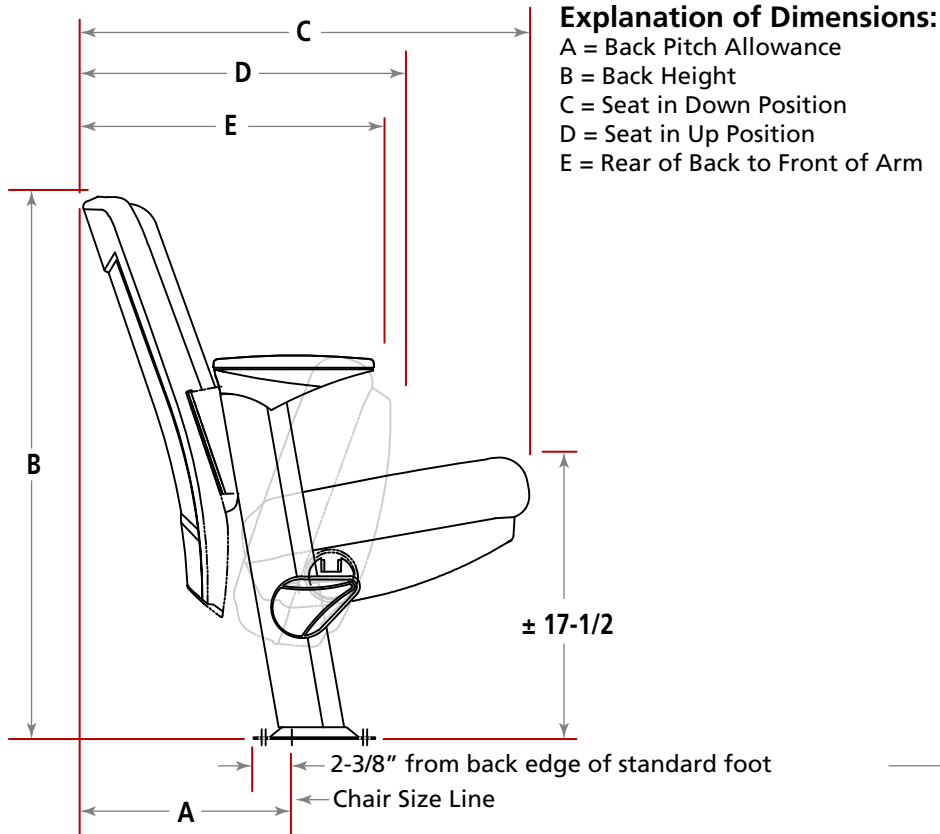


90.12.00.4 Citation

Dimensional Data



	9°	11°	13°	15°	19°	23°
A	9-11/16	10-1/4	11	11-5/8	12-7/8	14-1/16
B	34-13/16	34-5/8	34-5/16	34	33-7/16	32-11/16
C	24-1/4	24-13/16	25-9/16	26-3/16	27-7/16	28-5/8
D	16-11/16	17-1/4	18	18-5/8	19-7/8	21-1/16
E	14-11/16	15-1/4	16	16-5/8	17-7/8	19-1/16

Floor mount - 3/4 fold seat.
 Back pitch is determined by site conditions, please consult with your Irwin Seating representative prior specifying.
 Accessories & components not shown here may impact dimensions, please contact your Irwin Seating representative for other models.
 All dimensions shown in inches.
 Dimensions may change without notice.
 © Irwin Seating Company