

1/2" Tempered Glass with Shock Absorbing Rubber Gasket Within Frame

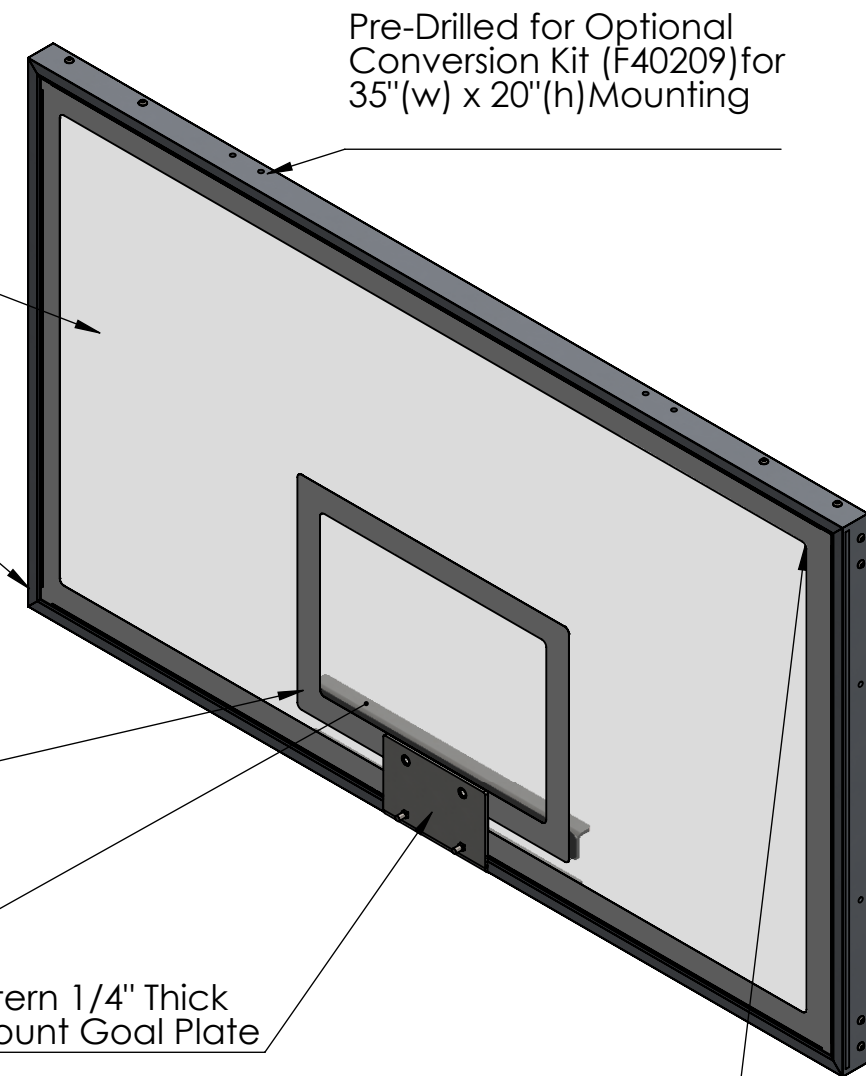
6063T6 Anodized Extruded Aluminum Frame Pre-Drilled for Bolt on Padding

2" Border and Target Permanently Fused Onto Glass

1/4" Thick Hoop Support Brackets

5"x4" Pattern 1/4" Thick Direct Mount Goal Plate

Two 3/16" Thick Top Corner Mounting Brackets with Keyhole Slots



Pre-Drilled for Optional Conversion Kit (F40209) for 35"(w) x 20"(h) Mounting

ITEM NO.	PART NUMBER	DESCRIPTION	QTY.
1	07-045	Glass Blank	1
2	07-041	J Profile Gasket 38in	2
3	07-042	J Profile Gasket 68in	2
4	07-046	Aluminum Frame 42in Side	2
5	07-048	Aluminum Frame 72in Bottom	1
6	07-047	Aluminum Frame 72in Top	1
7	07-043	Flat Gasket for Hoop Bracket	1
8	07-006	Hoop Bracket	1
9	07-044	Flat Gasket for Top Centre Bracket	1
10	07-004	Top Centre Bracket	1
11	07-005	Bottom Centre Bracket	1
12	07-049	Hoop Bracket Bushing	2
13	02-000	SBHCSCREW 0.3125-18x1-HX-C	18
14	CSSNBOLT 0.375-16x1x1-N	#3 Plow Bolt GR5 3/8-16X1 BARE	4
15	HNUT 0.3125-18-D-N	NYLON INSERT L/N NE 5/16-18 ZINC	18
16	07-056	Bushing Rubber Collar	2
17	07-067	Glass Backboard Lower Corner Bracket	2
18	07-002	Corner Bracket Left	1
19	07-003	Corner Bracket Right	1

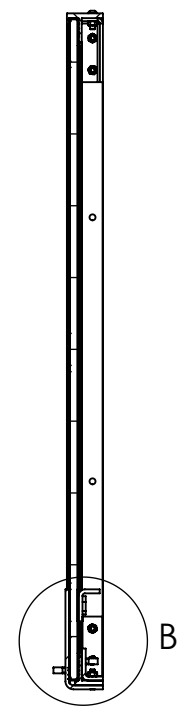
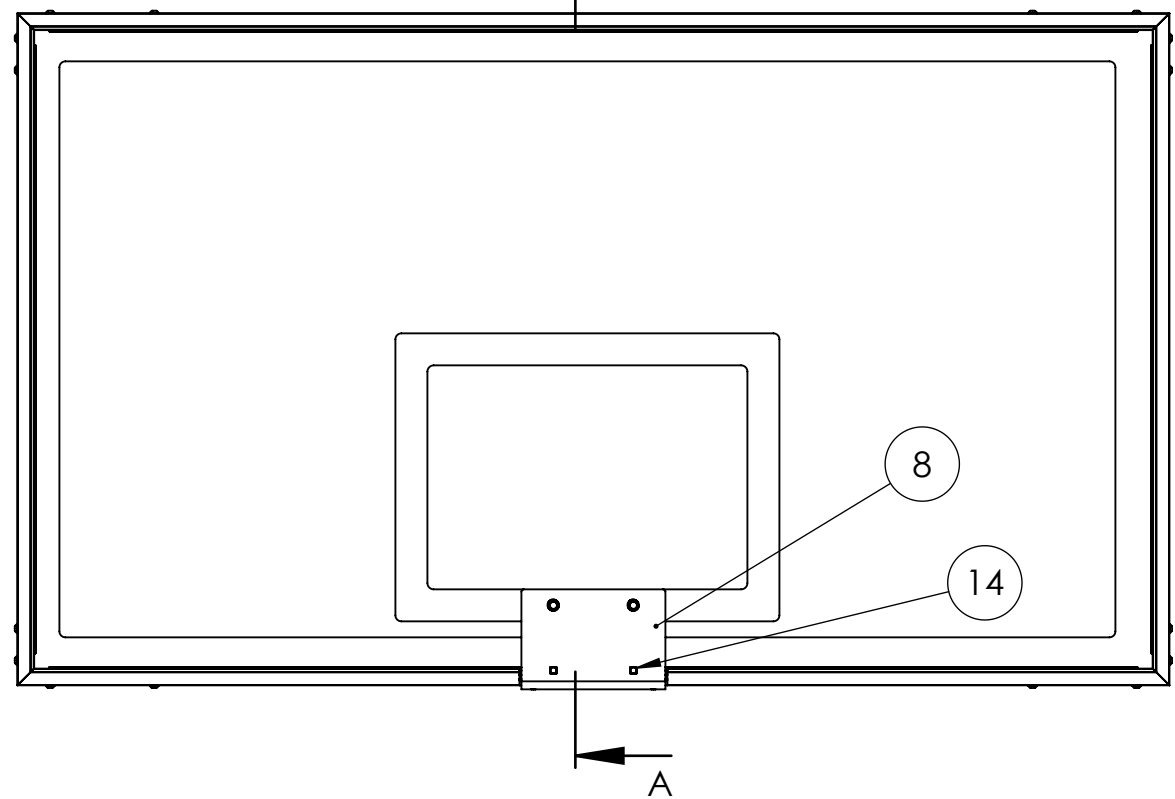
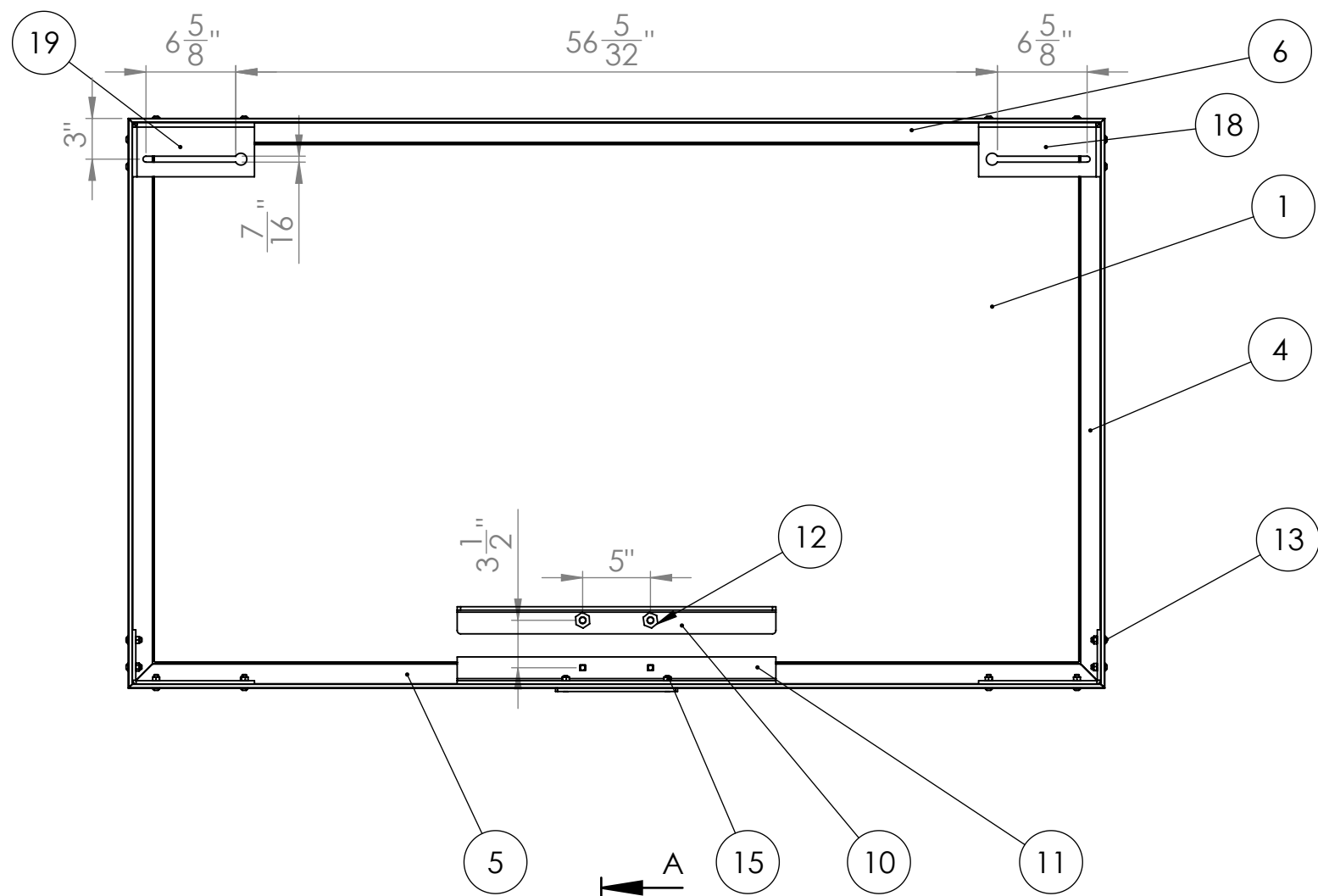
Limited Lifetime Warranty
 Meets NCAA and High School Requirements
 Weight: 175 LBS
 Steel Bracket Finish: Painted Grey
 Frame Finish: Anodized Aluminum
 Border/Target Finish: Fired White on Glass

Forum Athletic Products
 9 Browning Court Unit 1
 Bolton, ON, Canada L7E 1G8
 Phone 905-405-1222
 Fax 905-405-8532
 Email info@forumathletic.ca
 Website www.forumathletic.ca

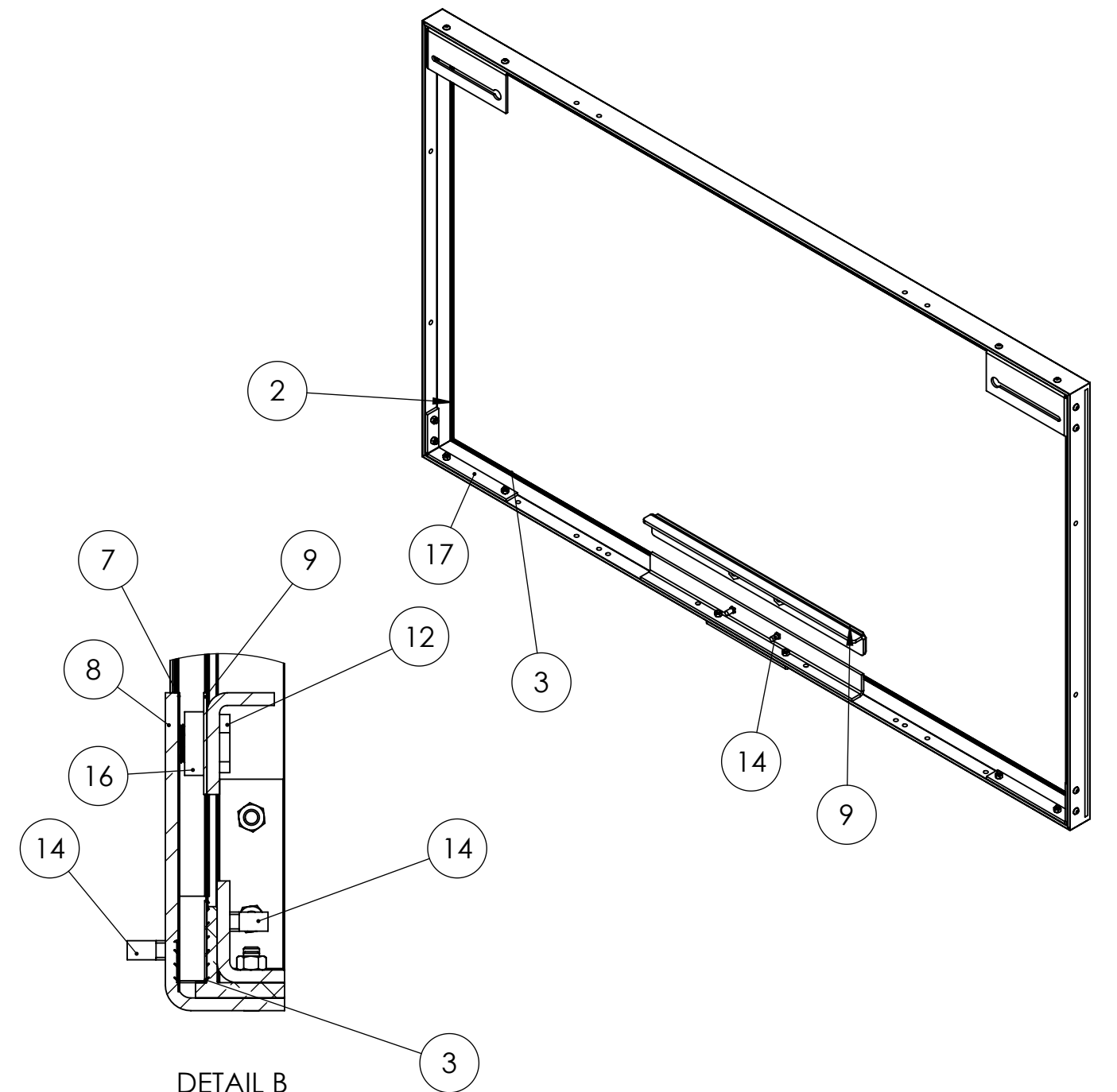
THE INFORMATION AND DESIGNS CONTAINED IN THIS DRAWING ARE CONFIDENTIAL AND PROPRIETARY PROPERTY OF FORUM ATHLETIC PRODUCTS INC. THEY MAY NOT BE REPRODUCED OR DISTRIBUTED WITHOUT PRIOR WRITTEN CONSENT FROM FORUM ATHLETIC PRODUCTS INC.

PROJECT:	
DESCRIPTION:	Glass Rectangular 42in Regulation Board
MODEL NO. / PART. NO.	F40209 / 07_034
SCALE: 1:12	SHEET 1 OF 3
REV	A


DRAWN: S. Strazzabosco DATE: 2017-09-18

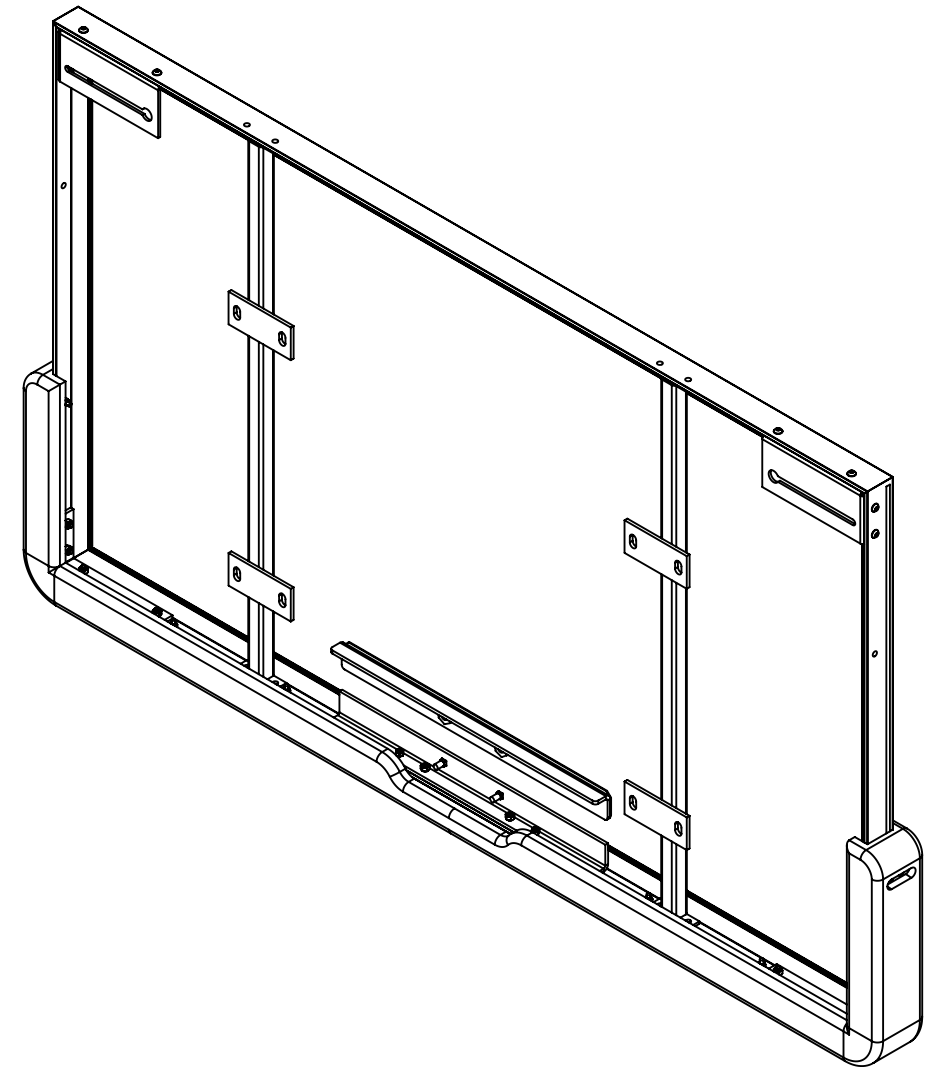
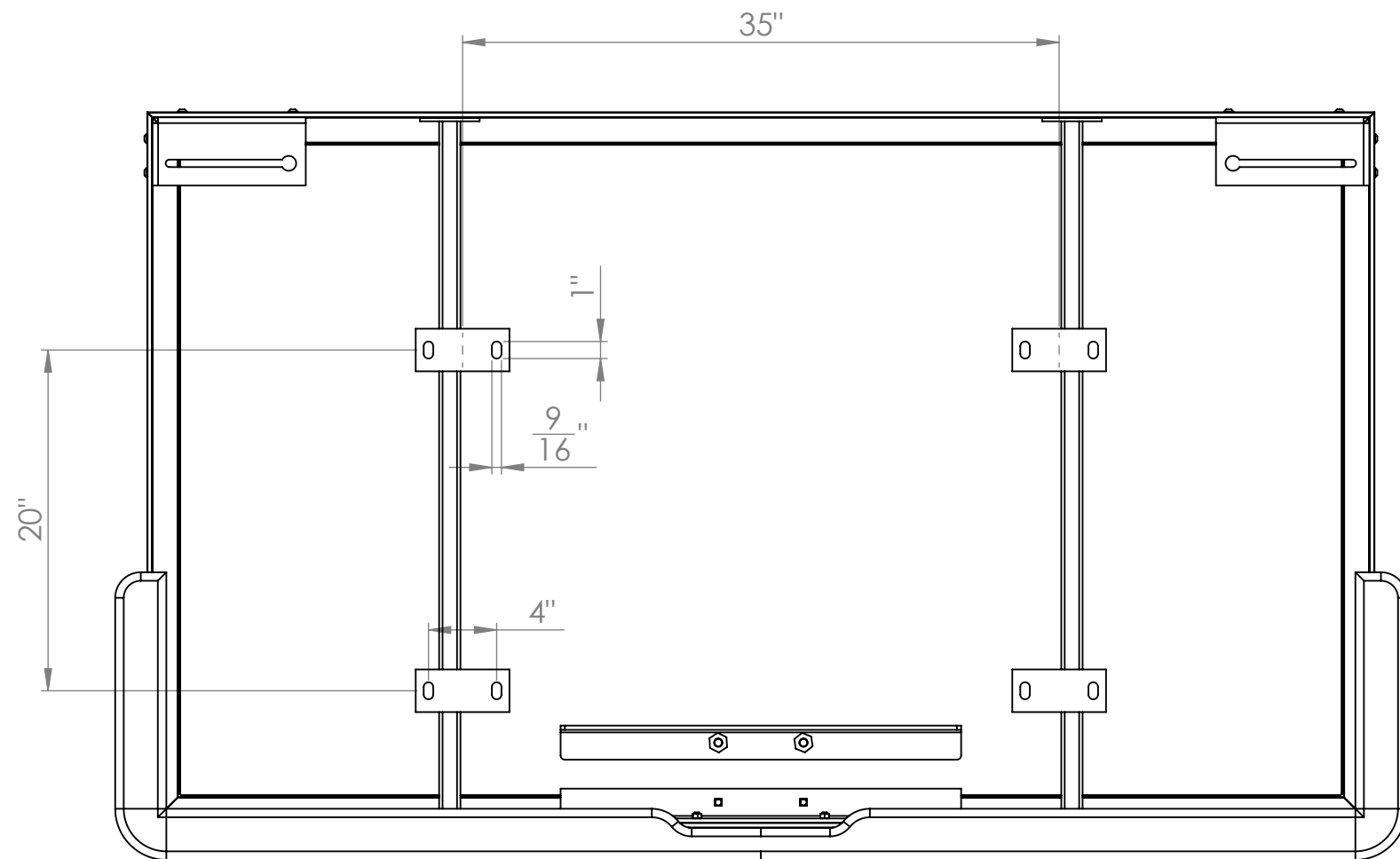



SECTION A-A



DETAIL B
SCALE 1 : 3

 <p>Forum Athletic Products 9 Browning Court Unit 1 Bolton, ON, Canada L7E 1G8</p> <p>Phone 905-405-1222 Fax 905-405-8532 Email info@forumathletic.ca Website www.forumathletic.ca</p> <p><small>THE INFORMATION AND DESIGNS CONTAINED IN THIS DRAWING ARE CONFIDENTIAL AND PROPRIETARY PROPERTY OF FORUM ATHLETIC PRODUCTS INC. THEY MAY NOT BE REPRODUCED OR DISTRIBUTED WITHOUT PRIOR WRITTEN CONSENT FROM FORUM ATHLETIC PRODUCTS INC.</small></p>	PROJECT:	
	DESCRIPTION: Glass Rectangular 42in Regulation Board	
DRAWN: S. Strazzabosco	DATE: 2017-09-18	SCALE: 1:12
	MODEL NO. / PART. NO. F40209 / 07_034	REV A
		SHEET 2 OF 3



 <p>Forum Athletic Products 9 Browning Court Unit 1 Bolton, ON, Canada L7E 1G8</p> <p>Phone 905-405-1222 Fax 905-405-8532 Email info@forumathletic.ca Website www.forumathletic.ca</p> <p><small>THE INFORMATION AND DESIGNS CONTAINED IN THIS DRAWING ARE CONFIDENTIAL AND PROPRIETARY PROPERTY OF FORUM ATHLETIC PRODUCTS INC. THEY MAY NOT BE REPRODUCED OR DISTRIBUTED WITHOUT PRIOR WRITTEN CONSENT FROM FORUM ATHLETIC PRODUCTS INC.</small></p>	PROJECT:	
	DESCRIPTION: Glass Rectangular 42in Regulation Board w/ 35" Conversion Kit Adapter Frame	
DRAWN: S. Strazzabosco DATE: 2017-09-18	MODEL NO. F40209 / F49012	REV A
SCALE: 1:12	SHEET 3 OF 3	