

GENERAL NOTES / CONFIRMATIONS:

1. WORK PROVIDED BY OTHERS:

- 1.1. BACKING AND BLOCKING TO WALLS AND/OR CEILING STRUCTURE AS REQUIRED
- 1.2. ADEQUATE BUILDING STRUCTURAL SUPPORT VERIFIED BY AN ENGINEER
- 2. ARCHITECT AND/OR GENERAL CONTRACTOR SHALL COORDINATE LOCATIONS OF BACKSTOPS WITH LOCATIONS OF GAMES LINES, MECHANICAL & ELECTRICAL EQUIPMENT, & ALL OTHER EQUIPMENT POTENTIALLY SUBJECT TO INTERFERENCE WITH BACKSTOPS
- 3. ARCHITECT AND/OR GENERAL CONTRACTOR TO VERIFY BACKBOARD LOCATION AGAINST GYM FLOOR GAMES LINE SHOP DRAWINGS
- 4. HEIGHT, LOCATIONS, & TYPE OF STRUCTURAL SUPPORTS SHALL BE VERIFIED ON SITE
- 5. APPROXIMATE DEAD LOAD: FRAME #1 222 KG (490 LBS), FRAME #2 236 KG (520 LBS), FRAME #3 252 KG (555 LBS), FRAME #4 268 KG (590 LBS), FRAME #5 281 KG (620 LBS)
- 6. APPROXIMATE LIVE LOAD AT HOOP: 249 KG [550 LBS]
- 7. WALL CONNECTION POINTS, LAYOUT, ATTACHMENT METHOD AND DIMENSIONS SUBJECT TO CHANGE UPON SITE VERIFICATION AND ANY CHANGES MADE ON APPROVED SHOP DRAWING

Note: Swing direction to be determined on site at installer's discretion. If required, please indicate desired swing direction on this drawing for all basketball backstop locations. Folded dimension may change if changes are made to this shop drawing such as backboard distance to wall, accessories etc.

Item Number	Model Number	Description
1	F40209	Glass Rectangular 42in Regulation Board
2	F40210	Bolt-On Pro Mold Cushion Edge Padding
3	F40115	Collegiate Breakaway Goal
4	F49004	Height Adjuster



Forum Athletic Products
 9 Browning Court Unit 1
 Bolton, ON, Canada L7E 1G8

Phone 905-405-1222
Fax 905-405-8532
Email info@forumathletic.ca
Website www.forumathletic.ca

THE INFORMATION AND DESIGNS CONTAINED IN THIS DRAWING ARE CONFIDENTIAL AND PROPRIETARY PROPERTY OF FORUM ATHLETIC PRODUCTS INC. THEY MAY NOT BE REPRODUCED OR DISTRIBUTED WITHOUT PRIOR WRITTEN CONSENT FROM FORUM ATHLETIC PRODUCTS INC.

PROJECT:

 DESCRIPTION:
 F859 Wall Mount Sidefold Basketball Backstop

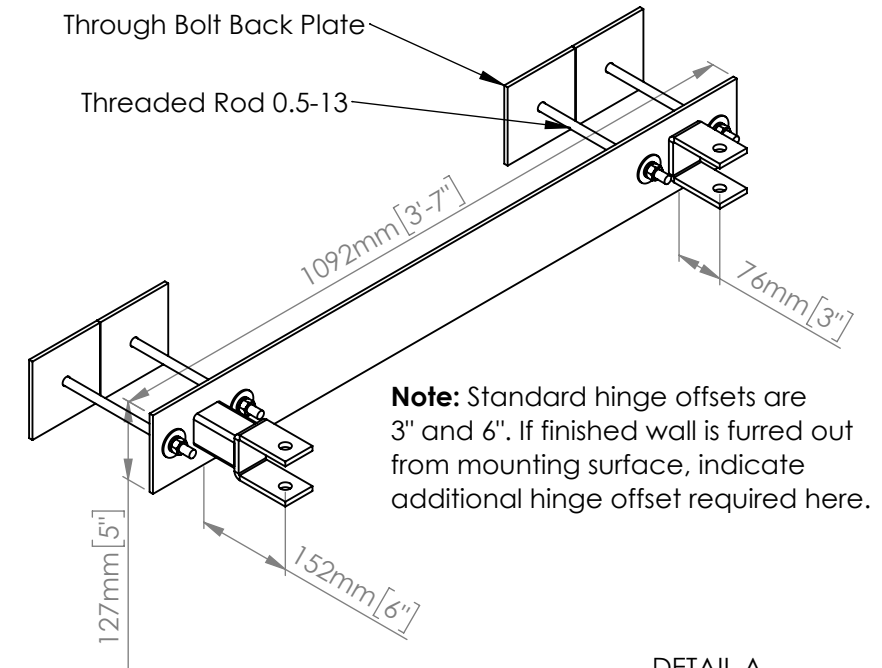
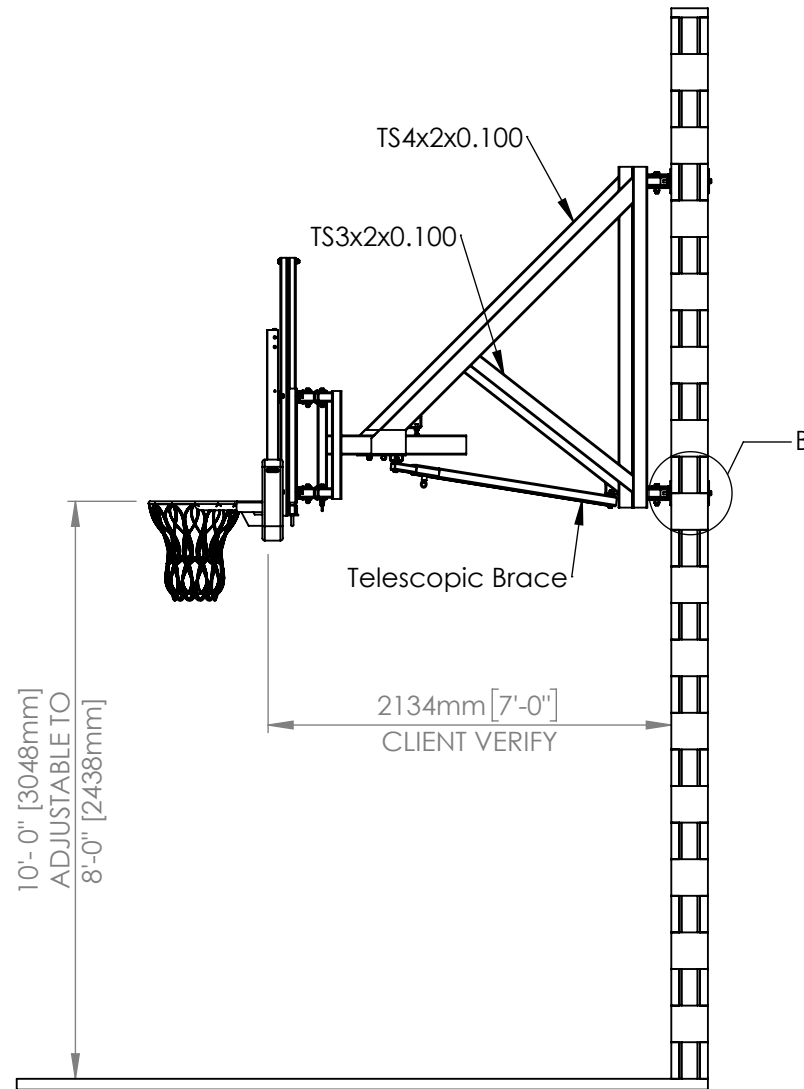
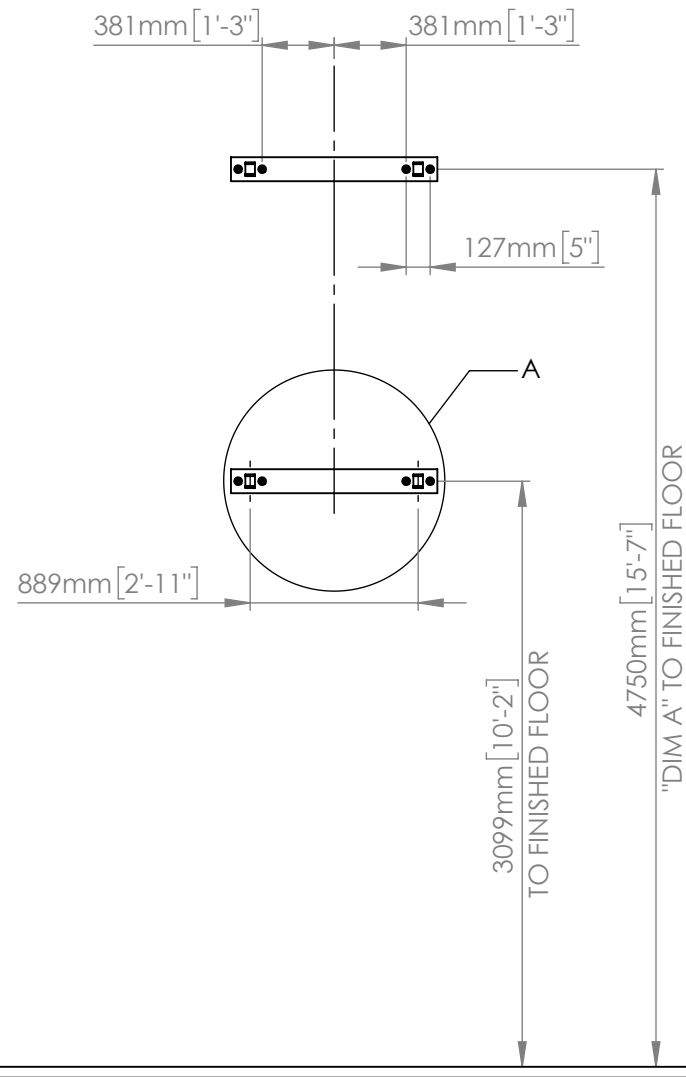
DWG NO. / PART. NO.
 SFB-1

REV
 A

Frame Size	Face of Backboard to Mounting Surface	Dim A (Top Mount)
#1	1067mm [3'-6"] to 1473mm [4'-10"]	3937mm [12'-11"]
#2	1473mm [4'-10"] to 1880mm [6'-2"]	4344mm [14'-3"]
#3	1880mm [6'-2"] to 2286mm [7'-6"]	4750mm [15'-7"]
#4	2286mm [7'-6"] to 2692mm [8'-10"]	5156mm [16'-11"]
#5	2692mm [8'-10"] to 3099mm [10'-2"]	5563mm [18'-3"]

Note: Configuration shown on this drawing will require a **Frame #3**.

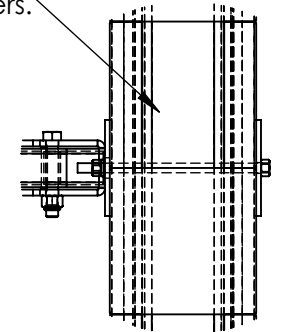
To determine frame size take the distance from the face of backboard to the mounting surface, subtract 4" [102mm] (if equipped with height adjuster frame) and subtract any additional (above standard) hinge bracket offset (see detail A). Use this number in the chart to find the correct frame size.



Note: Standard hinge offsets are 3" and 6". If finished wall is furred out from mounting surface, indicate additional hinge offset required here.

DETAIL A
SCALE 1:10

Note: Adequate backing and blocking to be verified by project engineer and provided by others.



DETAIL B
SCALE 1:10

FRAME COLOUR: (SELECT)



CUSTOM:

CODE _____
(extra cost)

REV.	DESCRIPTION	DATE

Forum Athletic Products
9 Browning Court Unit 1
Bolton, ON, Canada L7E 1G8

Phone 905-405-1222
Fax 905-405-8532
Email info@forumathletic.ca
Website www.forumathletic.ca

THE INFORMATION AND DESIGNS CONTAINED IN THIS DRAWING ARE CONFIDENTIAL AND PROPRIETARY PROPERTY OF FORUM ATHLETIC PRODUCTS INC. THEY MAY NOT BE REPRODUCED OR DISTRIBUTED WITHOUT PRIOR WRITTEN CONSENT FROM FORUM ATHLETIC PRODUCTS INC.

DRAWN: S. Strazzabosco DATE: 2018-04-11

QUANTITY	LOCATION

PROJECT:

DESCRIPTION:
F859 Wall Mount Sidefold Basketball Backstop

DWG NO. / PART. NO.
SFB-1

SCALE: 1:40 SHEET 2 OF 2

REV
A