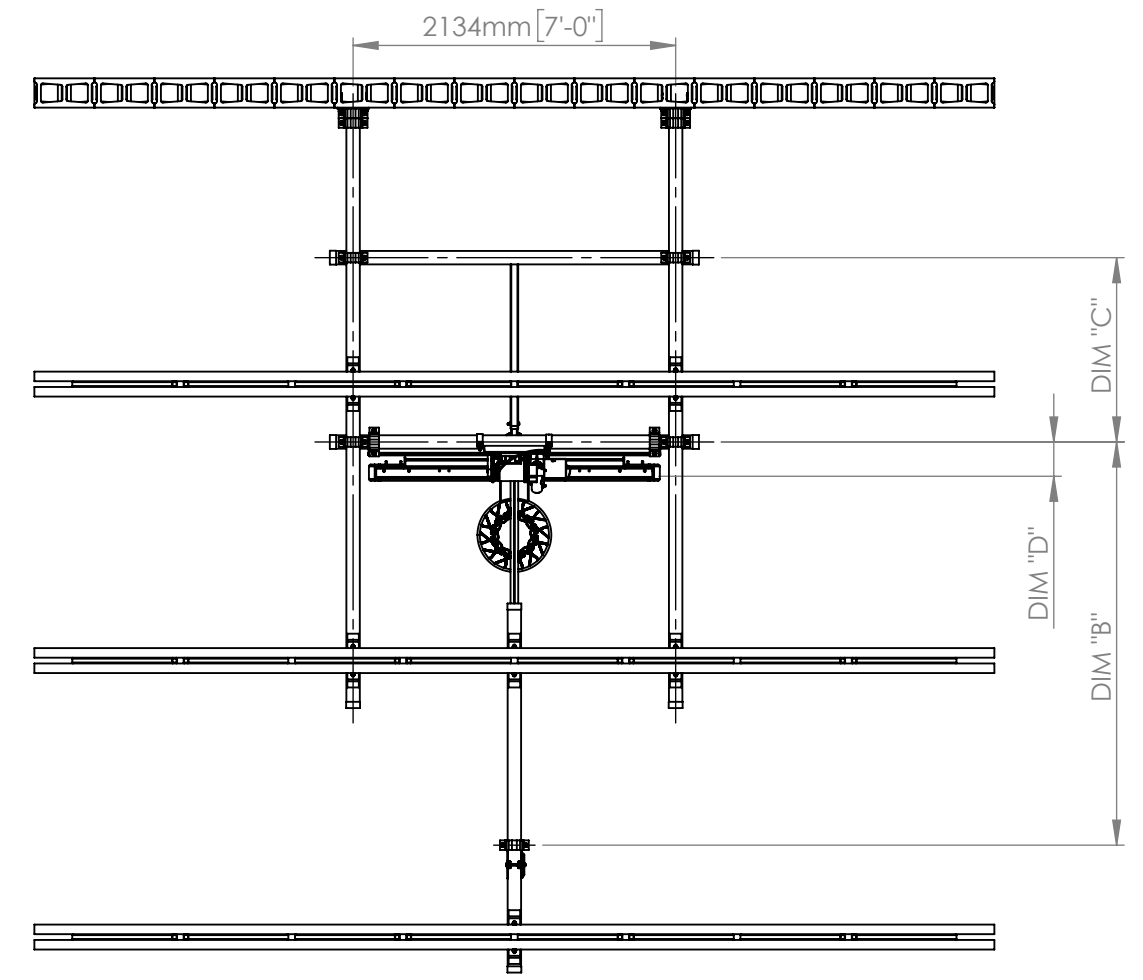
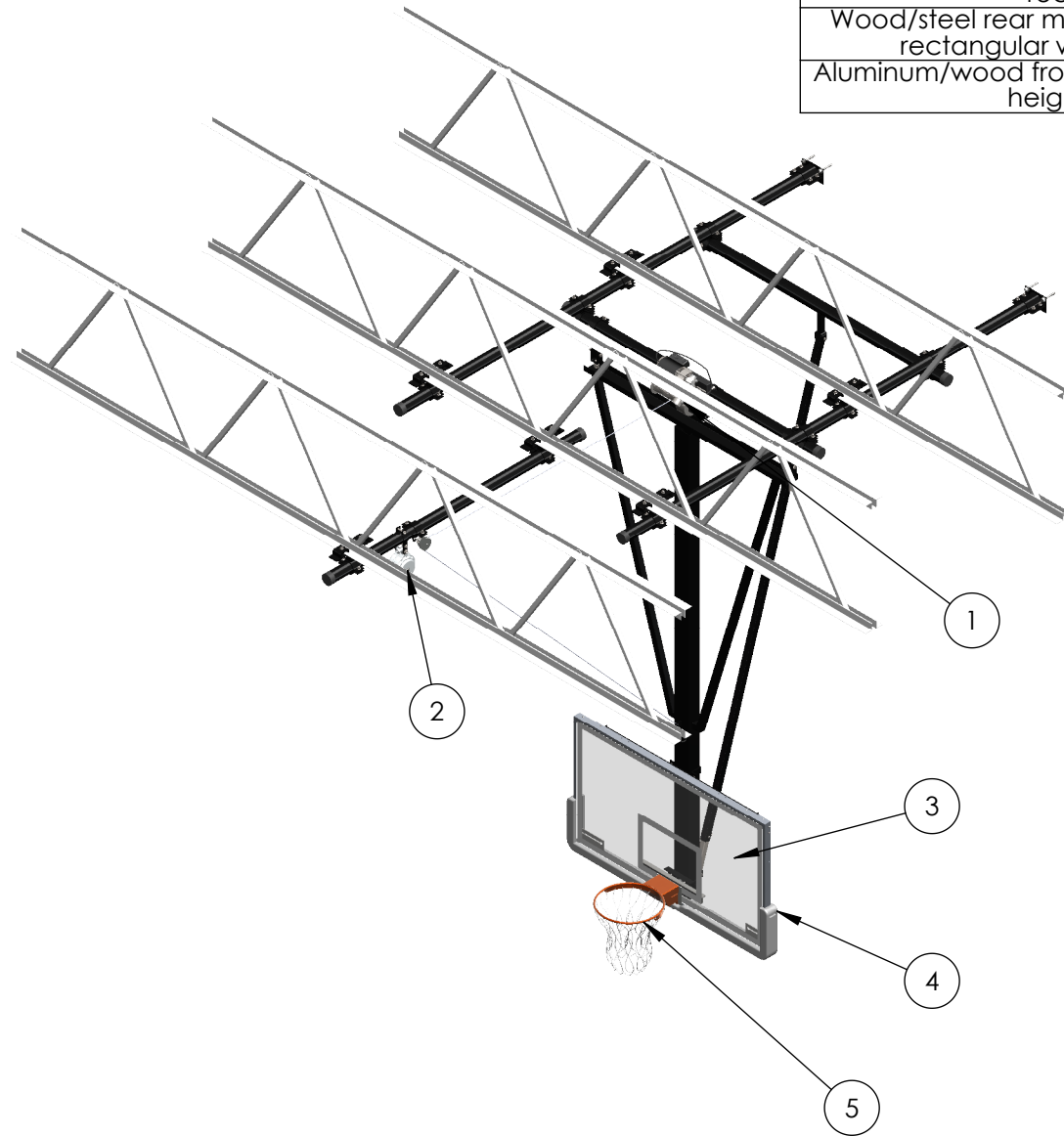


Backboard	Dim "D"
Glass or wood rectangular	225mm [8 7/8"]
Glass or wood rectangular with height adjuster	333mm [13 1/8"]
Wood/steel/aluminum fan shaped or steel rectangular	203mm [8"]
Wood/steel rear mount fan shaped or steel rectangular with height adjuster	318mm [12 1/2"]
Aluminum/wood front mount fan shaped with height adjuster	305mm [12"]



Note: Support pipe layout and connection points to structure will vary based on building conditions. Refer to project specific shop drawings for accurate layout.



GENERAL NOTES / CONFIRMATIONS:

1. WORK PROVIDED BY OTHERS:
 - 1.1. BACKING AND BLOCKING TO WALLS AND/OR CEILING STRUCTURE AS REQUIRED
 - 1.2. ADEQUATE BUILDING STRUCTURAL SUPPORT VERIFIED BY AN ENGINEER
 - 1.3. ELECTRICAL CONNECTIONS AND HOOK UP
2. ARCHITECT AND/OR GENERAL CONTRACTOR SHALL COORDINATE LOCATIONS OF BACKSTOPS WITH LOCATIONS OF GAMES LINES, MECHANICAL & ELECTRICAL EQUIPMENT, & ALL OTHER EQUIPMENT POTENTIALLY SUBJECT TO INTERFERENCE WITH BACKSTOPS
3. ARCHITECT AND/OR GENERAL CONTRACTOR TO VERIFY BACKBOARD LOCATION AGAINST GYM FLOOR GAMES LINE SHOP DRAWINGS
4. HEIGHT, LOCATIONS, & TYPE OF STRUCTURAL SUPPORTS SHALL BE VERIFIED ON SITE
5. APPROXIMATE DEAD LOAD: VARIES
6. APPROXIMATE LIVE LOAD AT HOOP: 550 LBS
7. TRUSS CONNECTION POINTS, LAYOUT, ATTACHMENT METHOD AND DIMENSIONS SUBJECT TO CHANGE UPON SITE VERIFICATION

Item Number	Model Number	Description
1	F49003	QR4 BACKSTOP WINCH, 115V, 0.75 HP
2	F49026	Autoloc Safety Strap
3	F40209	Glass Rectangular 42in Regulation Board
4	F40210	Bolt-On Pro Mold Cushion Edge Padding
5	F40115	Collegiate Breakaway Goal



Forum Athletic Products
 9 Browning Court Unit 1
 Bolton, ON, Canada L7E 1G8

Phone 905-405-1222
Fax 905-405-8532
Email info@forumathletic.ca
Website www.forumathletic.ca

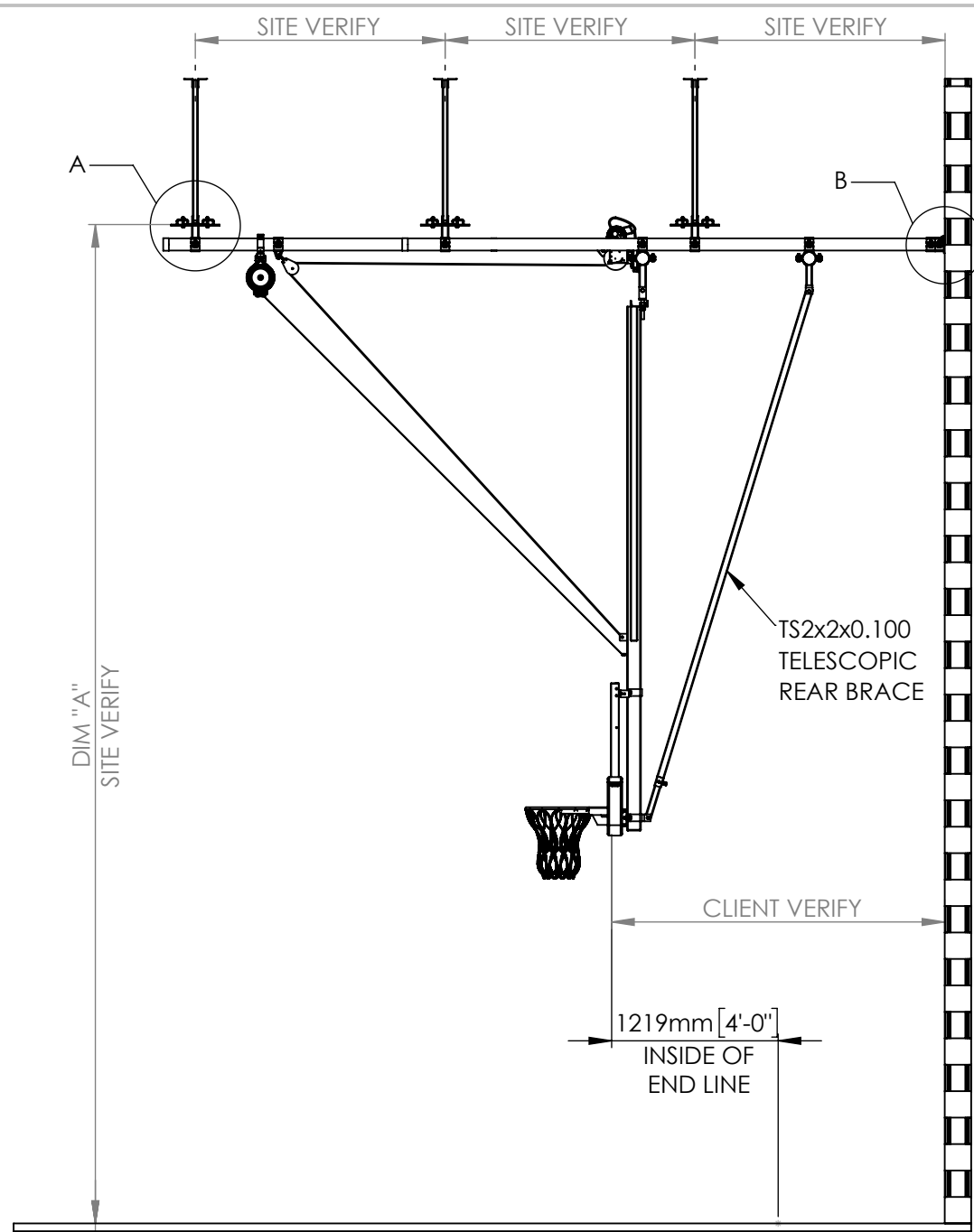
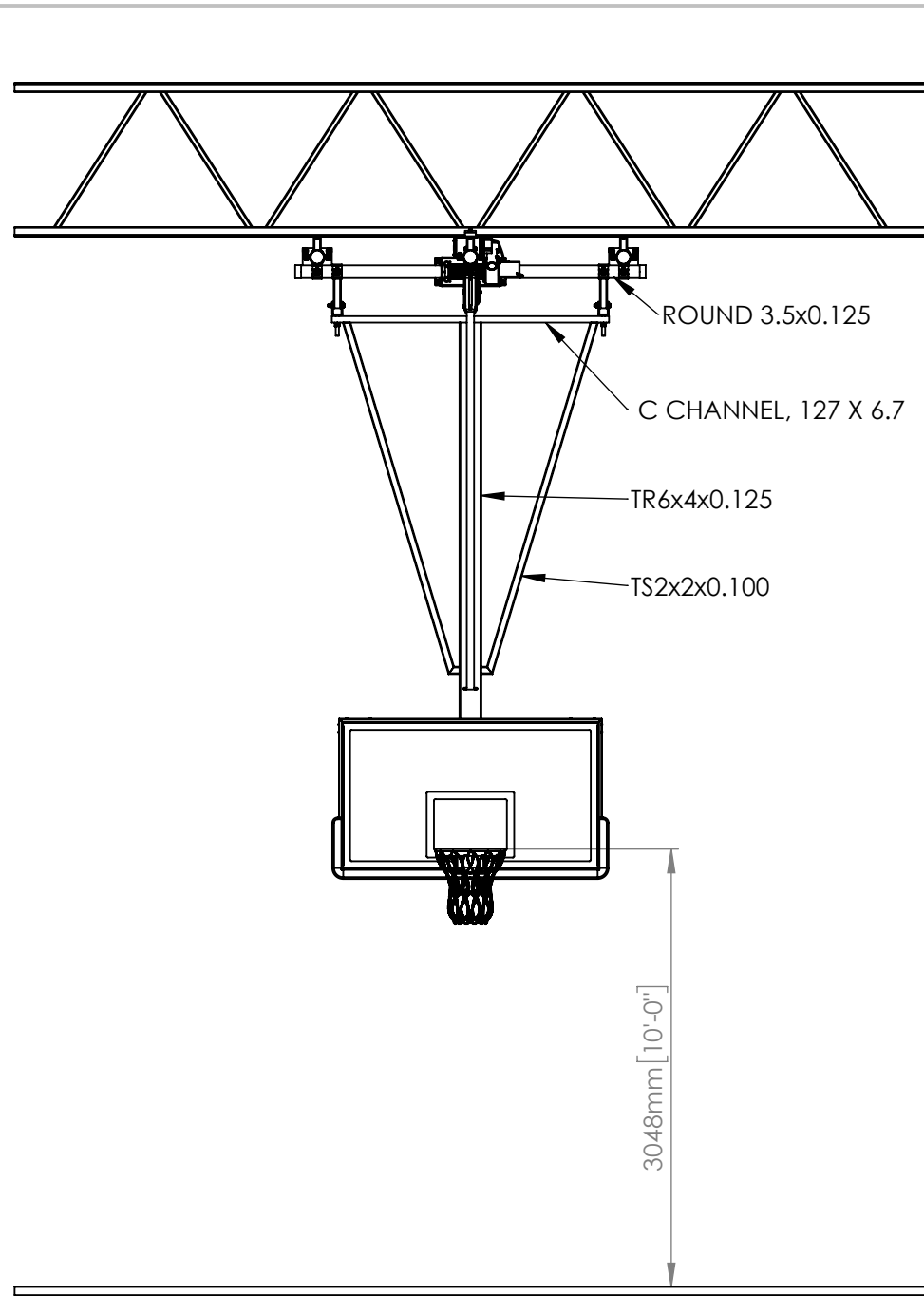
THE INFORMATION AND DESIGNS CONTAINED IN THIS DRAWING ARE CONFIDENTIAL AND PROPRIETARY PROPERTY OF FORUM ATHLETIC PRODUCTS INC. THEY MAY NOT BE REPRODUCED OR DISTRIBUTED WITHOUT PRIOR WRITTEN CONSENT FROM FORUM ATHLETIC PRODUCTS INC.

PROJECT:

DESCRIPTION:
 F850 Ceiling Mounted Basketball Backstop

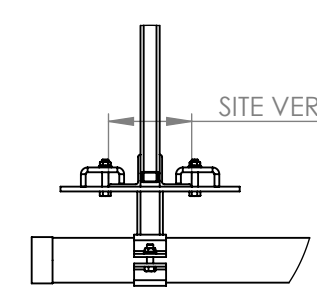
DWG NO. / PART. NO.
CMB-1

REV
A

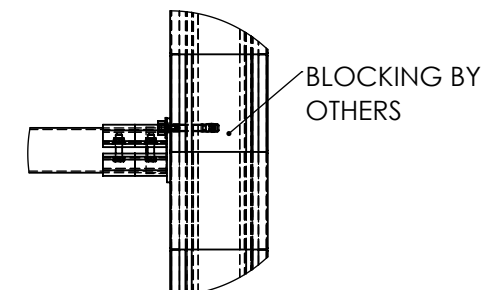


Dim "A"	Dim "B"	Dim "C"	Maximum dead load
5486mm [18'-0"]	838mm [2'-9"]	914mm [3'-0"]	1150 LBS
5791mm [19'-0"]	1143mm [3'-9"]	914mm [3'-0"]	1165 LBS
6096mm [20'-0"]	1448mm [4'-9"]	914mm [3'-0"]	1180 LBS
6401mm [21'-0"]	1753mm [5'-9"]	914mm [3'-0"]	1195 LBS
6706mm [22'-0"]	2057mm [6'-9"]	1219mm [4'-0"]	1210 LBS
7010mm [23'-0"]	2362mm [7'-9"]	1219mm [4'-0"]	1225 LBS
7315mm [24'-0"]	2362mm [8'-9"]	1219mm [4'-0"]	1245 LBS
7620mm [25'-0"]	2972mm [9'-9"]	1219mm [4'-0"]	1265 LBS
7925mm [26'-0"]	3277mm [10'-9"]	1219mm [4'-0"]	1285 LBS
8230mm [27'-0"]	3581mm [11'-9"]	1219mm [4'-0"]	1305 LBS
8534mm [28'-0"]	3886mm [12'-9"]	1524mm [5'-0"]	1325 LBS
8839mm [29'-0"]	4191mm [13'-9"]	1524mm [5'-0"]	1345 LBS

Note: Dimensions and weights provided in the chart above are based on a typical installation, but may vary based on specific project conditions and are to be used as a guideline only. Refer to project specific shop drawings for accurate dimensions and weights. Live load at hoop is 550 LBS.



DETAIL A
SCALE 1 : 15



DETAIL B
SCALE 1 : 15

FRAME COLOUR: (SELECT)



CUSTOM:
CODE _____
(extra cost)

Indicate if site dimensions are from finished floor or from concrete slab. Provide thickness of finished floor if measurements are from slab. Check for slope and provide sketch if trusses are not level.

Forum Athletic Products
9 Browning Court Unit 1
Bolton, ON, Canada L7E 1G8

Phone 905-405-1222
Fax 905-405-8532
Email info@forumathletic.ca
Website www.forumathletic.ca

THE INFORMATION AND DESIGNS CONTAINED IN THIS DRAWING ARE CONFIDENTIAL AND PROPRIETARY PROPERTY OF FORUM ATHLETIC PRODUCTS INC. THEY MAY NOT BE REPRODUCED OR DISTRIBUTED WITHOUT PRIOR WRITTEN CONSENT FROM FORUM ATHLETIC PRODUCTS INC.

QUANTITY	LOCATION

PROJECT:

DESCRIPTION:
F850 Ceiling Mounted Basketball Backstop

DWG NO. / PART. NO.
CMB-1

REV
A

REV.	DESCRIPTION	DATE

DRAWN: S. Strazzabosco DATE: 2018-06-20

SCALE: 1:50 SHEET 2 OF 2