

**GENERAL NOTES:**

- 18 OZ / SQYD FIRE RETARDANT VINYL LOWER PANEL
- 9 OZ / SQYD FIRE RETARDANT MESH TOP PANEL
- TOTAL DEAD LOAD: 0.5 LBS/SQFT

**WORK PROVIDED BY OTHERS:**

- ELECTRICAL CONNECTIONS & HOOK-UP
- ADEQUATE STRUCTURAL SUPPORT

**CONFIRMATIONS:**

- ARCHITECT & GENERAL CONTRACTOR SHALL COORDINATE LOCATION OF CURTAIN WITH LOCATIONS OF MECHANICAL & ELECTRICAL EQUIPMENT, & ALL OTHER EQUIPMENT POTENTIALLY SUBJECT TO INTERFERENCE WITH CURTAIN
- CHANGES TO CURTAIN WIDTH WILL AFFECT STRUCTURAL SUPPORT SPACING
- CURTAIN HEIGHT AND WIDTH SHALL BE VERIFIED ON SITE

Item Number	Model Number	Description
1	09-046	200nm Internal Tubular Motor 120V / 60Hz 5.6A 10RPM
2	F49026	Autoloc Safety Strap
3	09-004	Cable reel 1 1/4" with L14-20P twistlock plug on feeder cable



**Forum Athletic Products**  
9 Browning Court Unit 1  
Bolton, ON, Canada L7E 1G8  
  
Phone 905-405-1222  
Fax 905-405-8532  
Email info@forumathletic.ca  
Website www.forumathletic.ca

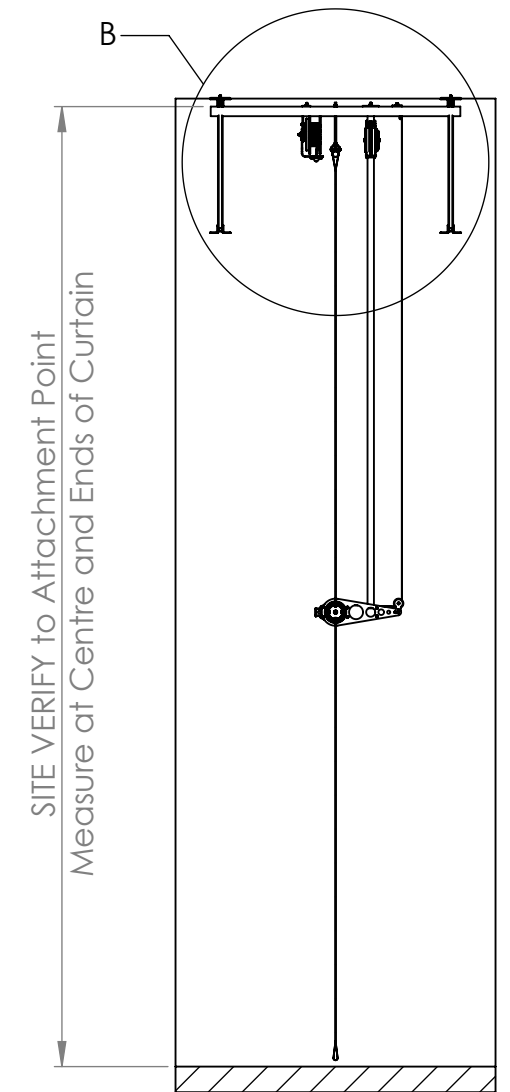
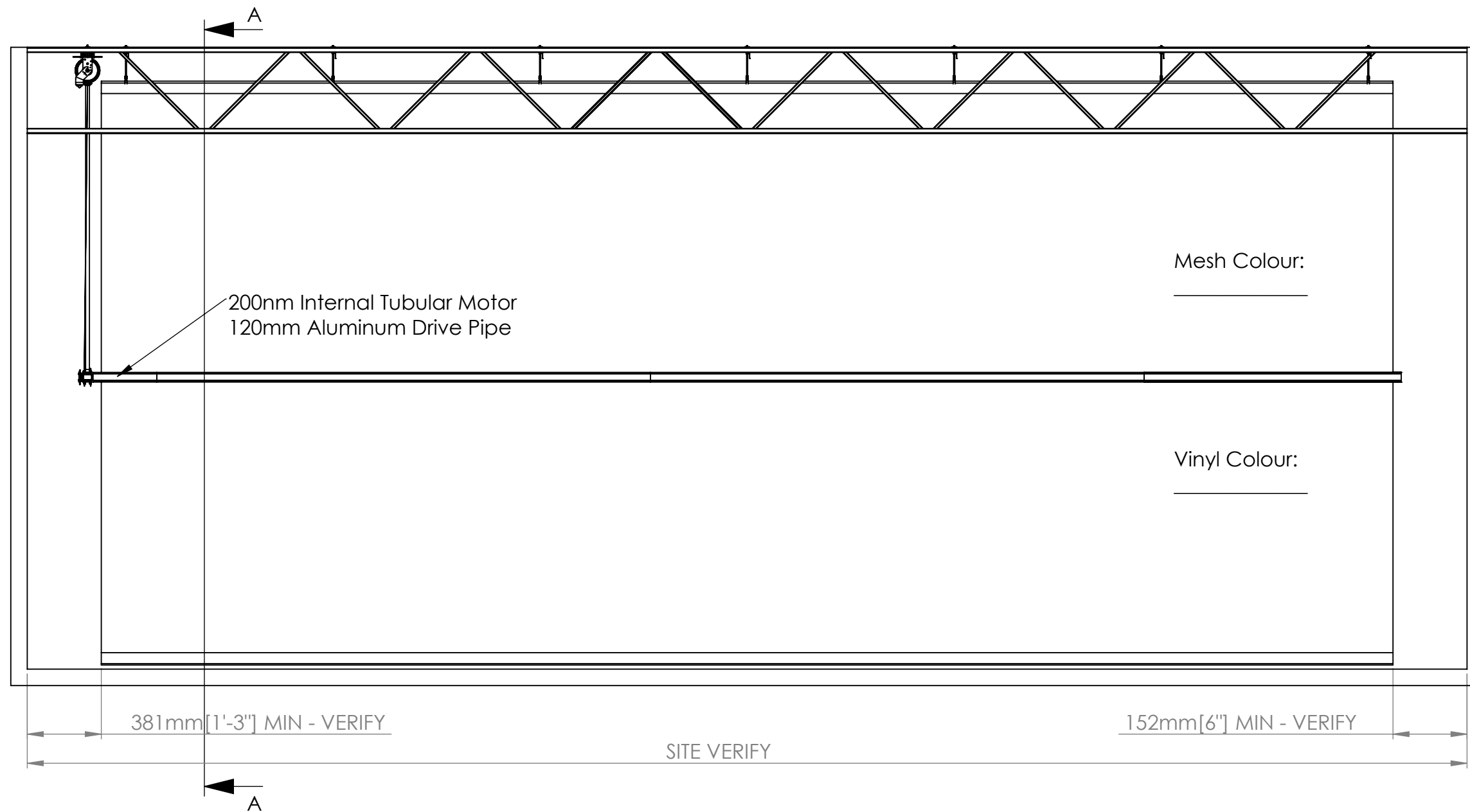
PROJECT:

DESCRIPTION:  
F3505 Centre Drive Divider Curtain

THE INFORMATION AND DESIGNS CONTAINED IN THIS DRAWING ARE CONFIDENTIAL AND PROPRIETARY PROPERTY OF FORUM ATHLETIC PRODUCTS INC. THEY MAY NOT BE REPRODUCED OR DISTRIBUTED WITHOUT PRIOR WRITTEN CONSENT FROM FORUM ATHLETIC PRODUCTS INC.

DWG NO. / PART. NO.  
CD-1

REV  
A



**Forum Athletic Products**  
9 Browning Court Unit 1  
Bolton, ON, Canada L7E 1G8

**Phone** 905-405-1222  
**Fax** 905-405-8532  
**Email** info@forumathletic.ca  
**Website** www.forumathletic.ca

THE INFORMATION AND DESIGNS CONTAINED IN THIS DRAWING ARE CONFIDENTIAL AND PROPRIETARY PROPERTY OF FORUM ATHLETIC PRODUCTS INC. THEY MAY NOT BE REPRODUCED OR DISTRIBUTED WITHOUT PRIOR WRITTEN CONSENT FROM FORUM ATHLETIC PRODUCTS INC.

PROJECT:

DESCRIPTION:  
F3505 Centre Drive Divider Curtain

DWG NO. / PART. NO.  
CD-1

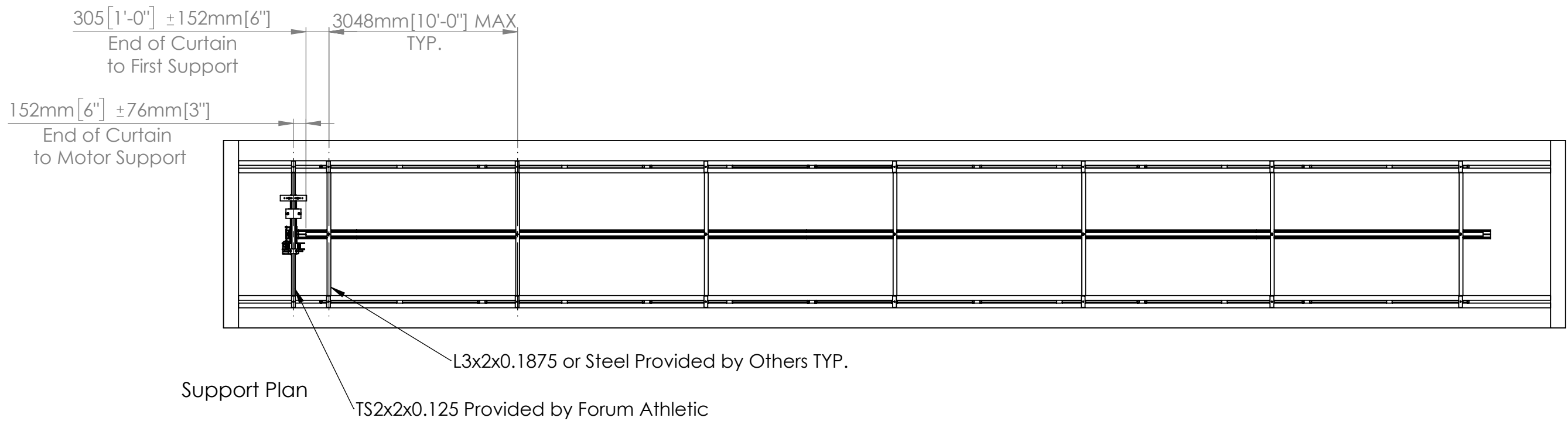
REV  
A

DRAWN: S. Strazzabosco

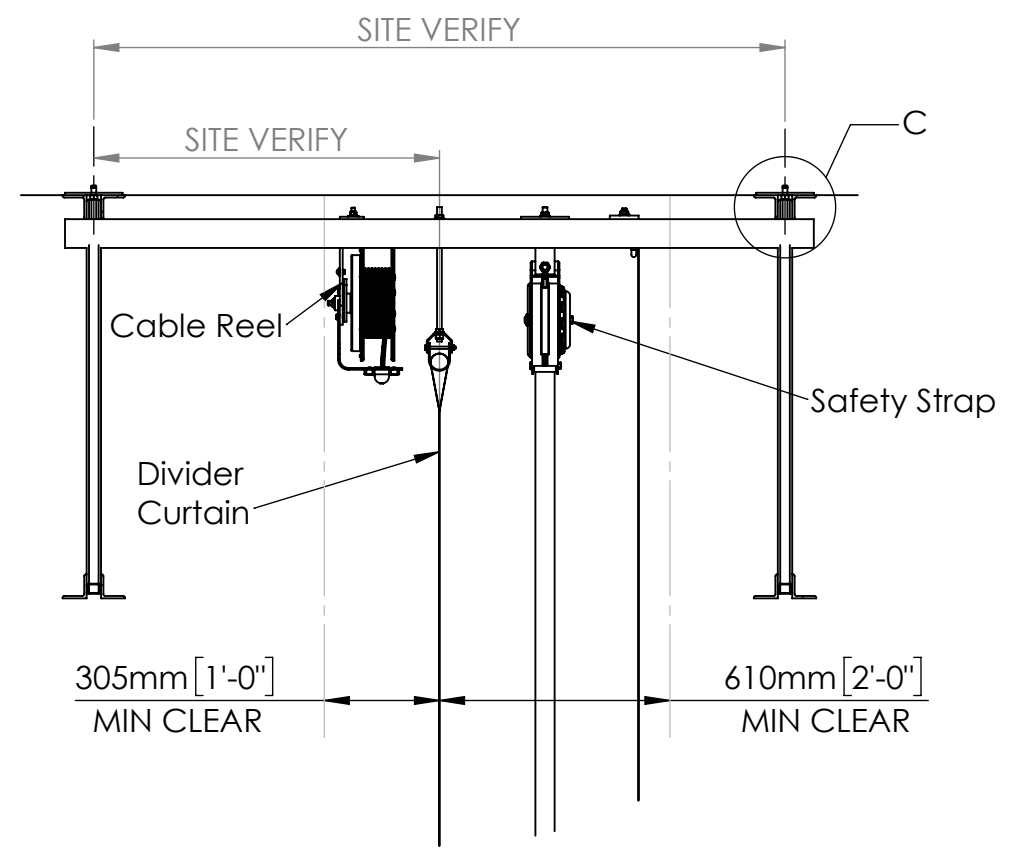
DATE: 2020-07-02

SCALE: 1:60

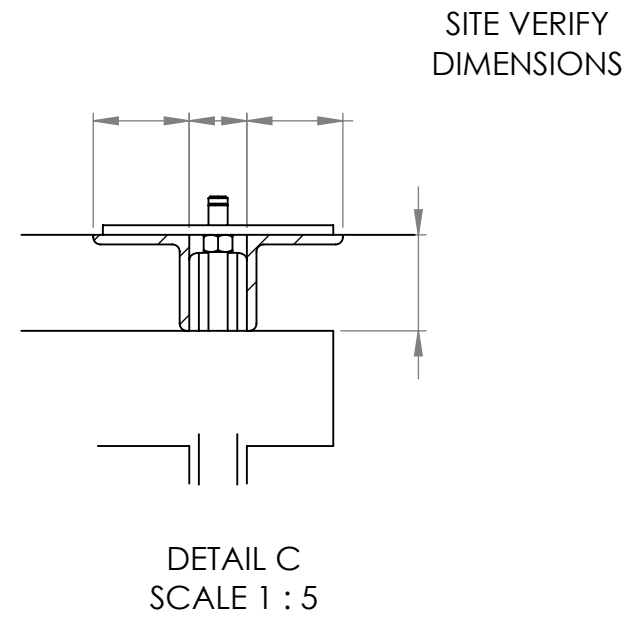
SHEET 2 OF 3



Support Plan



DETAIL B  
SCALE 1 : 20



**Forum Athletic Products**  
 9 Browning Court Unit 1  
 Bolton, ON, Canada L7E 1G8  
 Phone 905-405-1222  
 Fax 905-405-8532  
 Email info@forumathletic.ca  
 Website www.forumathletic.ca

THE INFORMATION AND DESIGNS CONTAINED IN THIS DRAWING ARE CONFIDENTIAL AND PROPRIETARY PROPERTY OF FORUM ATHLETIC PRODUCTS INC. THEY MAY NOT BE REPRODUCED OR DISTRIBUTED WITHOUT PRIOR WRITTEN CONSENT FROM FORUM ATHLETIC PRODUCTS INC.

PROJECT:	
DESCRIPTION:	F3505 Centre Drive Divider Curtain
DWG NO. / PART. NO.	CD-1
REV	A
DRAWN: S. Strazzabosco	DATE: 2020-07-02
SCALE: 1:60	SHEET 3 OF 3