

DAKTRONICS BB-2115 PRODUCT SPECIFICATIONS



This indoor single-sided LED basketball game clock and shot clock timer displays game time to 99:59 and shot times up to a value of 99 seconds. It can also count down from any preset time between 0 and 99 seconds. During the last minute of the period, game time is displayed to 1/10 of a second. A hand-held start/stop/reset switch is included with purchase. Shot clock shown with PanaView® digits.

POWER (120 VAC)*	UNCRATED WEIGHT	DIMENSIONS
50 Watts, 0.5 Amp	30 lb (14 kg)	2'-4" H x 2'-5" W x 6" D (711 mm, 737 mm, 152 mm)

*Models with 240 VAC power at half the indicated amperage are also offered (International Use Only).

DIGITS

- Game clock digits are 7" (178 mm) high. Shot clock digits are 13" (330 mm) high.
- Game clock digits are amber. Shot clock digits are red.
- Select PanaView® or UniView® LED digit technology (see [SL-04729](#)).

DISPLAY COLOR

Choose from 150+ colors (from Martin Senour® paint book) at no additional cost.

CONSTRUCTION

Durable, lightweight aluminum Tuff Sport® cabinet withstands high-velocity impact from air-filled sports balls without the need for protective screens.

PRODUCT SAFETY APPROVAL

ETL-listed, tested to CSA standards, and CE-labeled **for indoor use only**

OPERATING TEMPERATURES

- Display: -22° to 122° Fahrenheit (-30° to 50° Celsius)
- Console: 32° to 130° Fahrenheit (0° to 54° Celsius)

WWW.DAKTRONICS.COM E-MAIL: SALES@DAKTRONICS.COM

201 Daktronics Drive, PO Box 5128, Brookings, SD 57006
Phone: 1-800-325-8766 or 605-692-0200 Fax: 605-697-4746
DD2481875 070720 Page 1 of 4



DAKTRONICS BB-2115 PRODUCT SPECIFICATIONS

CONTROL CONSOLE	CONTROL OPTIONS
All Sport® 5000* (see SL-03991)	Wired (standard): One-pair shielded cable of 22 AWG minimum is required. A cover plate with mounted connector and standard 2" x 4" x 2" (51 mm x 102 mm x 51 mm) outlet box is provided. Connector mates with signal cable from control console. ----- Wireless (optional): 2.4 GHz spread spectrum radio features 64 non-interfering channels and 8 broadcast groups (see SL-04370).

* Controller not included with standard purchase; timer(s) are typically controlled by the same console controlling the basketball scoreboard(s).

LIGHT STRIP OUTPUT

Timer features outputs to control Daktronics end-of-period backboard LED light strips (sold separately).

HORN

An internal horn sounds automatically when shot clock counts down to zero with a sound that is distinctly different from that of the game-clock horn.

GENERAL INFORMATION

Timer provides game and shot clock timing capabilities. 100% solid state electronics are housed in an all aluminum cabinet. Timer arrives at the site fully assembled. Mounting hardware not included. Specifications and pricing are subject to change without notice.

OPTIONS & ACCESSORIES

- Carrying handle
- Portable signal kit
- End-of-period backboard light strips (see [DD4703928](#))
- Visual horn indicator (see [SL-02093](#) or [SL-05489](#))
- Protective screen (see [SL-02551](#))
- Suspension installation kit

FOR ADDITIONAL INFORMATION

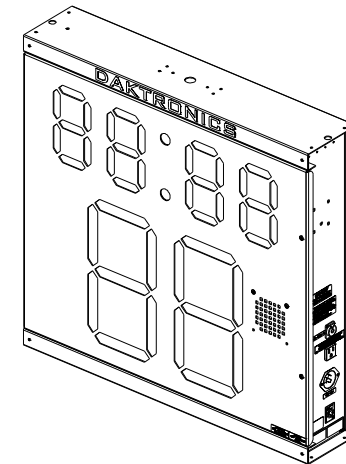
- Mechanical Specifications: DWG-3267938 (attached)
- Component Locations: DWG-3272582 (attached)
- Architectural Specifications: See [SL-04795](#)
- Installation Manual: See [DD2481645](#)
- Service Manual: See [DD2481648](#)

BB-2115/3115

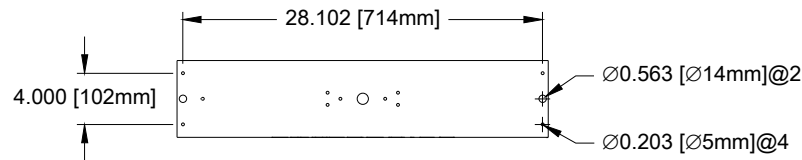
NOTES:

1. MOUNTING HARDWARE IS NOT PROVIDED.
2. SEE DRAWING A-91230 FOR SUGGESTIONS ON MOUNTING TO CEILING-SUSPENDED BACKSTOPS.
3. FOR PORTABLE BACKSTOPS, CONTACT THE BACKSTOP MANUFACTURER FOR MOUNTING HARDWARE.

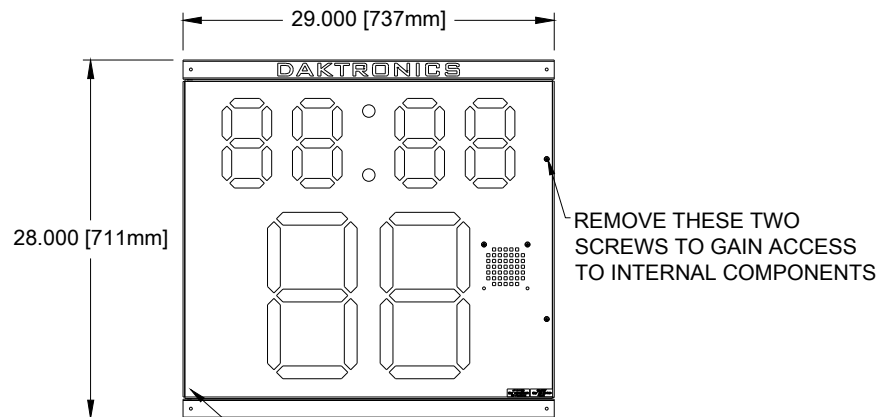
WEIGHTS	
SHIPPING WEIGHT	MOUNTING WEIGHT
40 LBS (18 KG)	30 LBS (14 KG)



ISOMETRIC VIEW

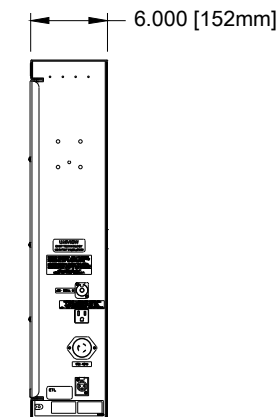


TOP VIEW

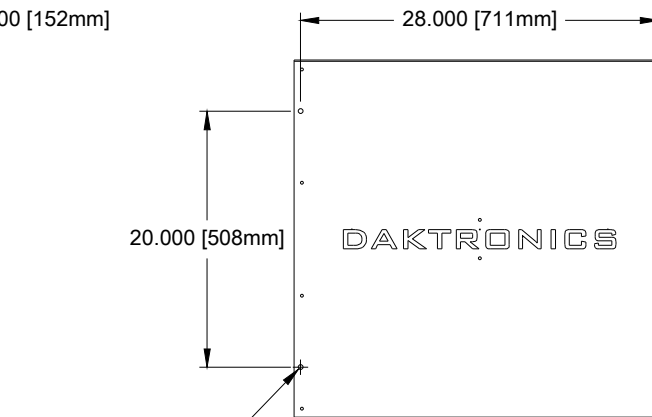


FRONT VIEW

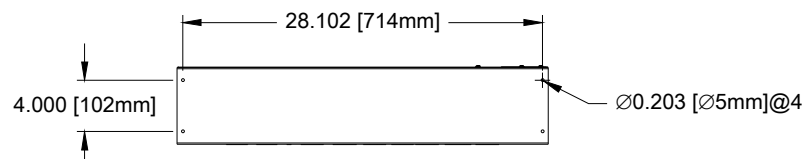
FACE PANEL SWINGS OPEN TOWARDS THE LEFT ON INTERNAL HINGES



SIDE VIEW



REAR VIEW



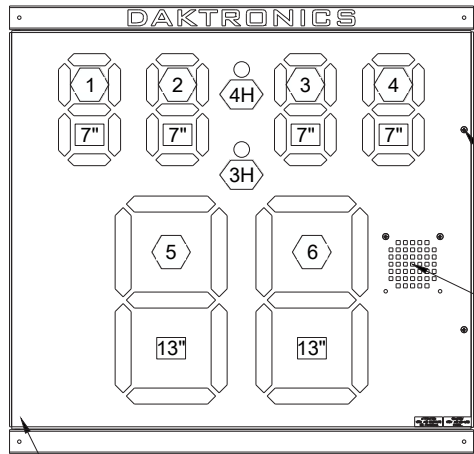
BOTTOM VIEW

TUFF SPORT® IS A COPYRIGHT OF DAKTRONICS

		<small>THE CONCEPTS EXPRESSED AND DETAILS SHOWN ON THIS DRAWING ARE CONFIDENTIAL AND PROPRIETARY. DO NOT REPRODUCE BY ANY MEANS WITHOUT THE EXPRESS WRITTEN CONSENT OF DAKTRONICS, INC. OR ITS WHOLLY OWNED SUBSIDIARIES. COPYRIGHT 2016 DAKTRONICS, INC. (USA)</small>			
PROJECT: TUFF SPORT® SCOREBOARDS					
TITLE: MECHANICAL SPEC; BB-2115/3115					
DATE: 29 JAN 16		DIM UNITS: INCHES [MILLIMETERS]		SHEET	
SCALE: 1=15		DO NOT SCALE DRAWING		REV	
DESIGN: BPETERSON		JOB NO. P1237		FUNC - TYPE - SIZE	
DRAWN: PSCHROE		E - 10 - A		3267938	

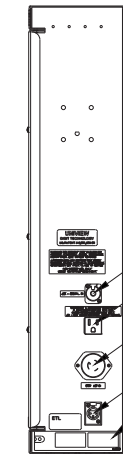
DIGIT, SIGNAL AND POWER SPECIFICATIONS:

BB-2115



REMOVE THESE TWO SCREWS TO GAIN ACCESS TO INTERNAL COMPONENTS

HORN (DS1)
DEFAULT SETTINGS:
GAME HORN & SHOT HORN



SIGNAL INPUT (J31)
SWITCHED AC OUT (J42)
120V DISPLAYS ONLY
AC IN (J41)
LIGHT STRIP (J32)
MODEL NUMBER &
POWER REQUIREMENTS

LEGEND:

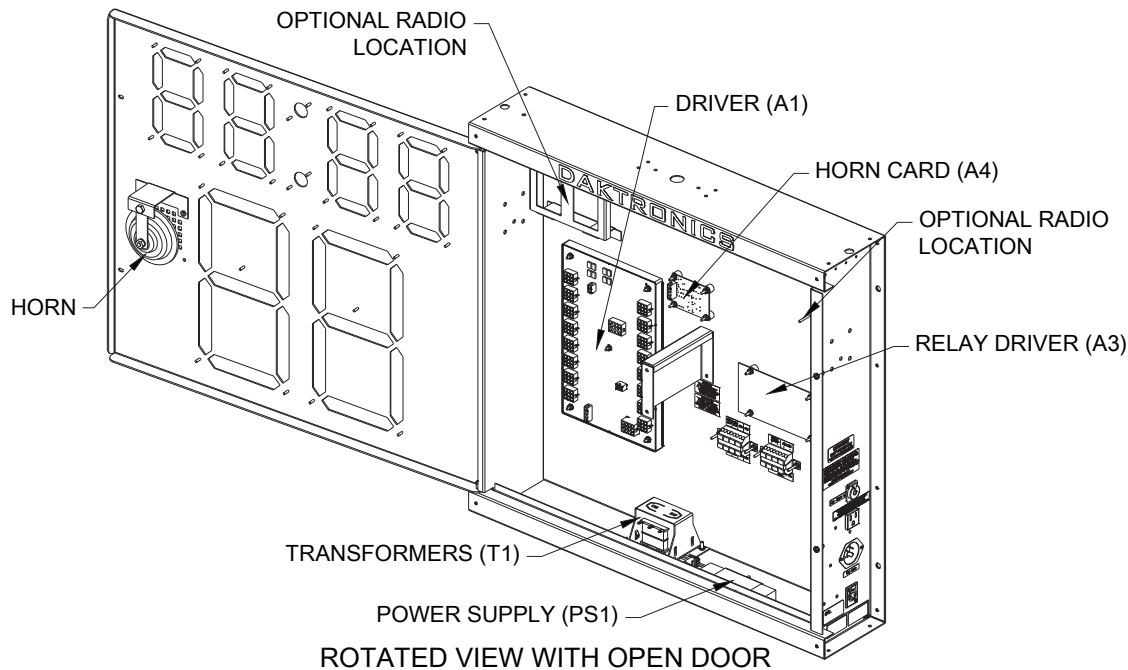
- = DIGIT DESIGNATION IN RELATION TO DRIVER
- = DIGIT SIZE
- = SEGMENT DESIGNATION
- = DRIVER NUMBER

FACE PANEL SWINGS OPEN TOWARDS THE LEFT ON INTERNAL HINGES

FRONT VIEW

SIDE VIEW

COMPONENT LOCATIONS:



NOTES:

1. A3 BOARD CAPABILITIES ARE GAME HORN, SHOT HORN, CLK = STOP, CLK = 0. J32/J42 (TOGETHER), & HORN CAN BE SET TO DIFFERENT VALUES IF REQUIRED.
2. TO CHANGE DEFAULT FUNCTION OF HORN, ENABLE OTHER SEGMENTS, OR CHANGE LIGHT STRIP OPTIONS, REFER TO DWG A-179151.

TUFF SPORT® IS A COPYRIGHT OF DAKTRONICS

REV 01	DATE: 26 JUN 20	UPDATED VIEWS TO SHOW CORRECT NUMBER OF TRANSFORMERS AND POWER SUPPLY. ADDED NOTE TO 'SWITCHED AC OUT'	BY: KDM
		THE CONCEPTS EXPRESSED AND DETAILS SHOWN ON THIS DRAWING ARE CONFIDENTIAL AND PROPRIETARY. DO NOT REPRODUCE BY ANY MEANS WITHOUT THE EXPRESS WRITTEN CONSENT OF DAKTRONICS, INC. OR ITS WHOLLY OWNED SUBSIDIARIES. COPYRIGHT 2016 DAKTRONICS, INC. (USA)	
PROJECT: TUFF SPORT® SCOREBOARDS			
TITLE: COMPONENT LOCATION; BB-2115			
DATE: 01 FEB 16	DIM UNITS: INCHES [MILLIMETERS]	SHEET	REV 01
SCALE: 1=12	DO NOT SCALE DRAWING		
DESIGN: CHAMILT	JOB NO. P1237	FUNC - TYPE - SIZE E - 10 - A	3272582
DRAWN: PSCHROE			